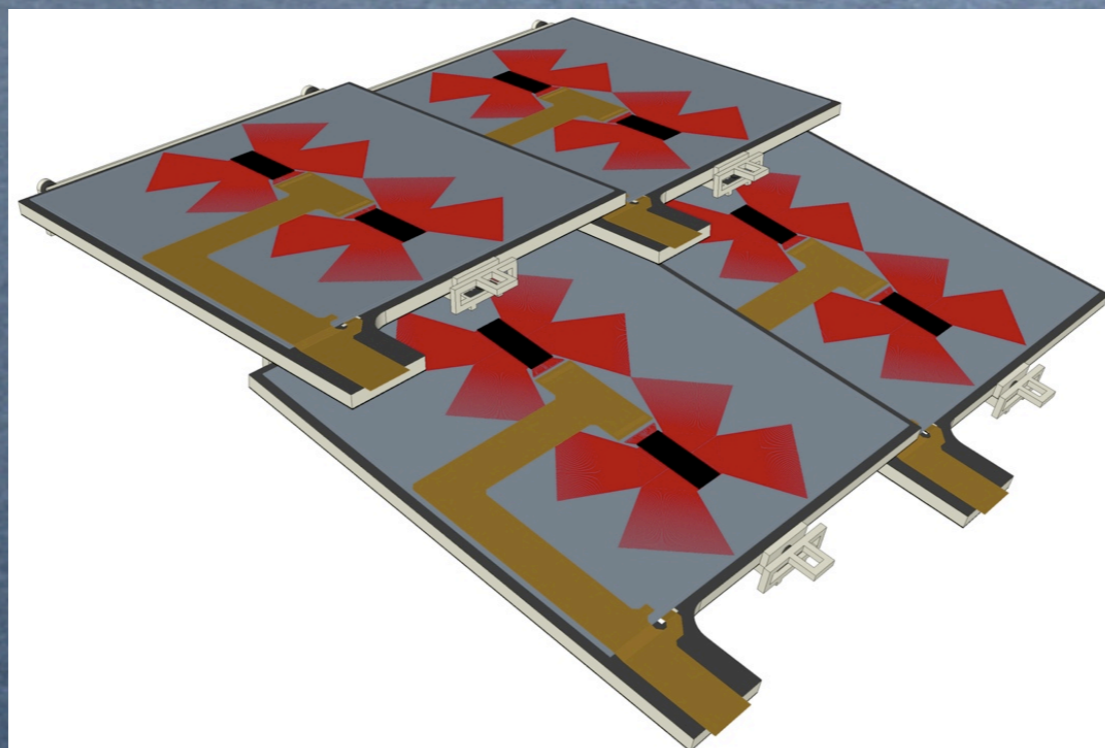


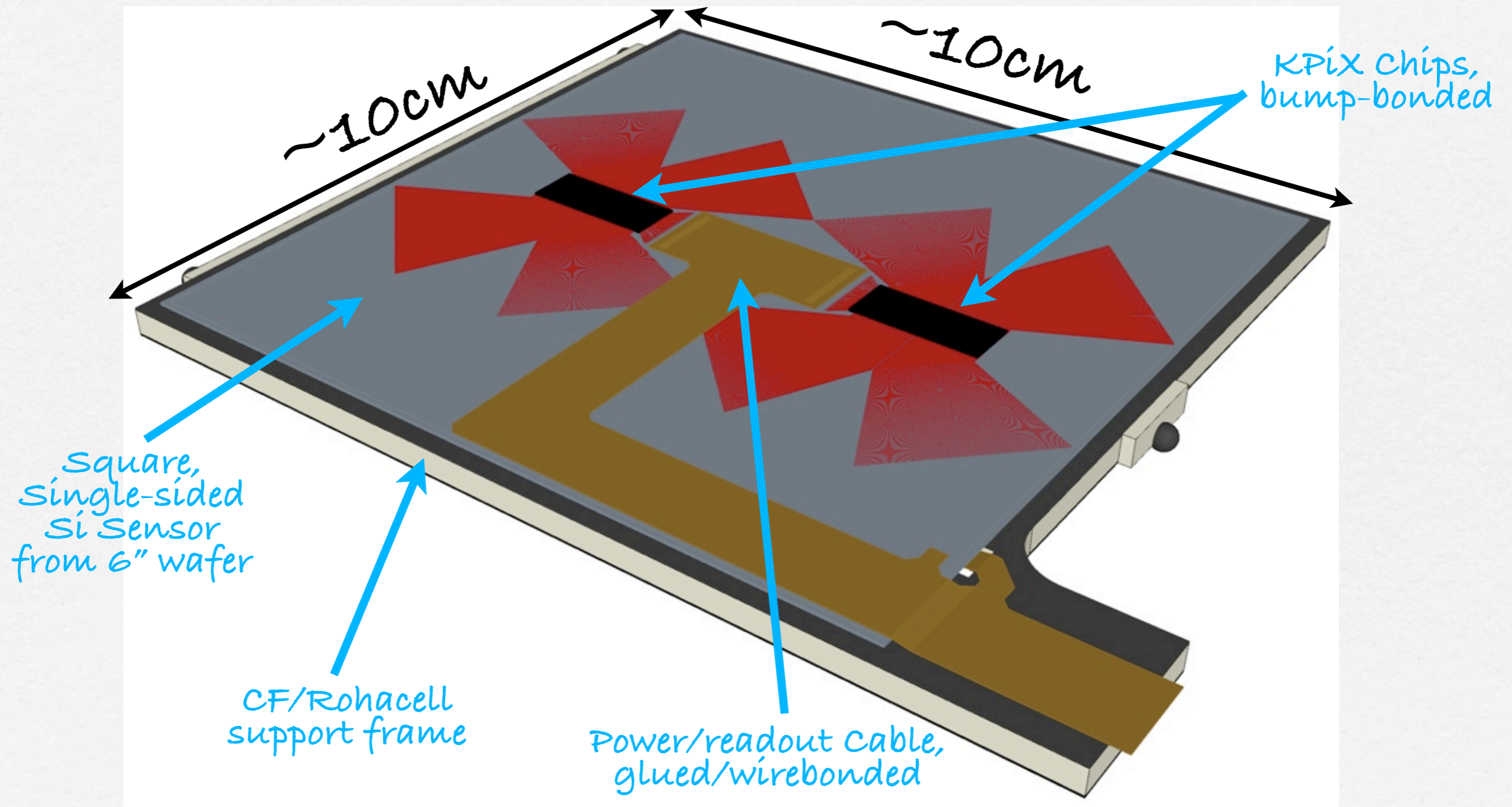
# Status of Outer Tracker Modules and Sensors



**Tim Nelson - SLAC**

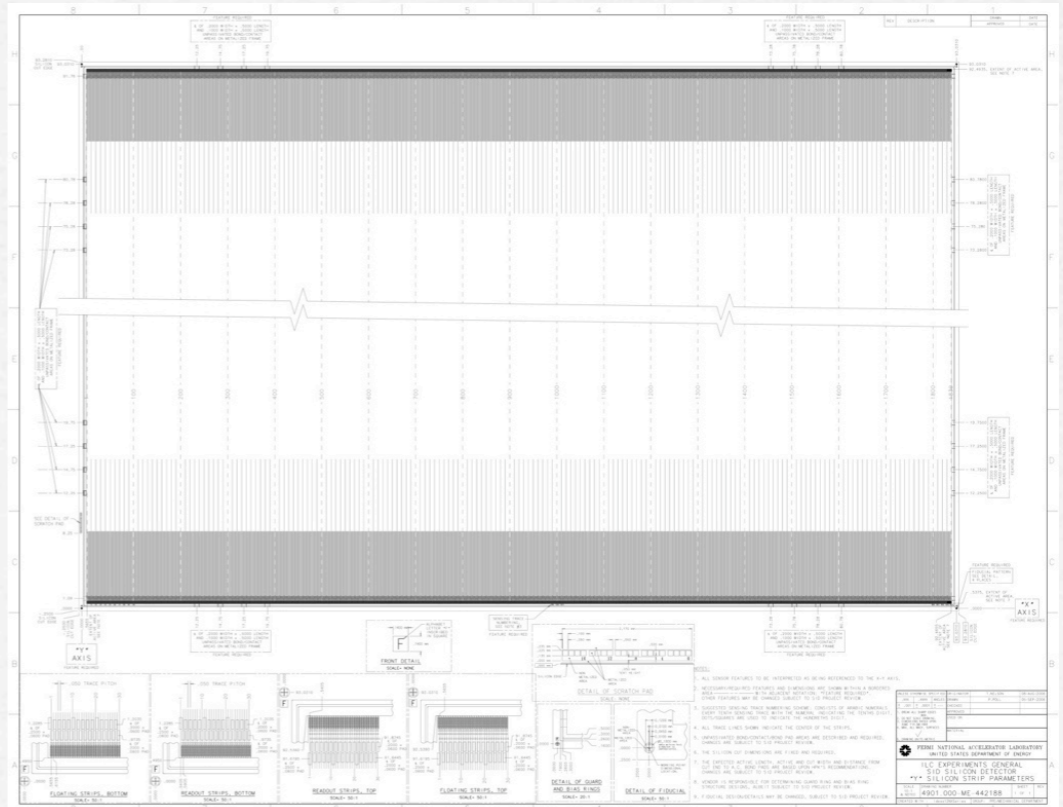
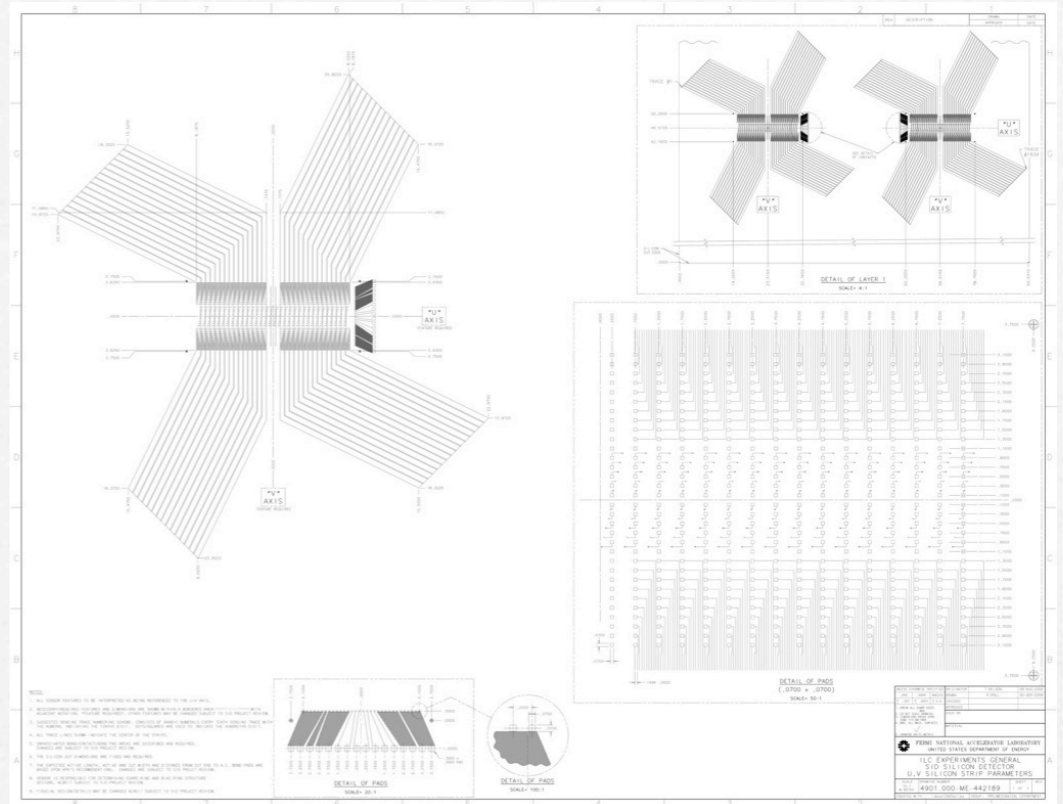
SiD workshop - 10/26/06

# Module Components



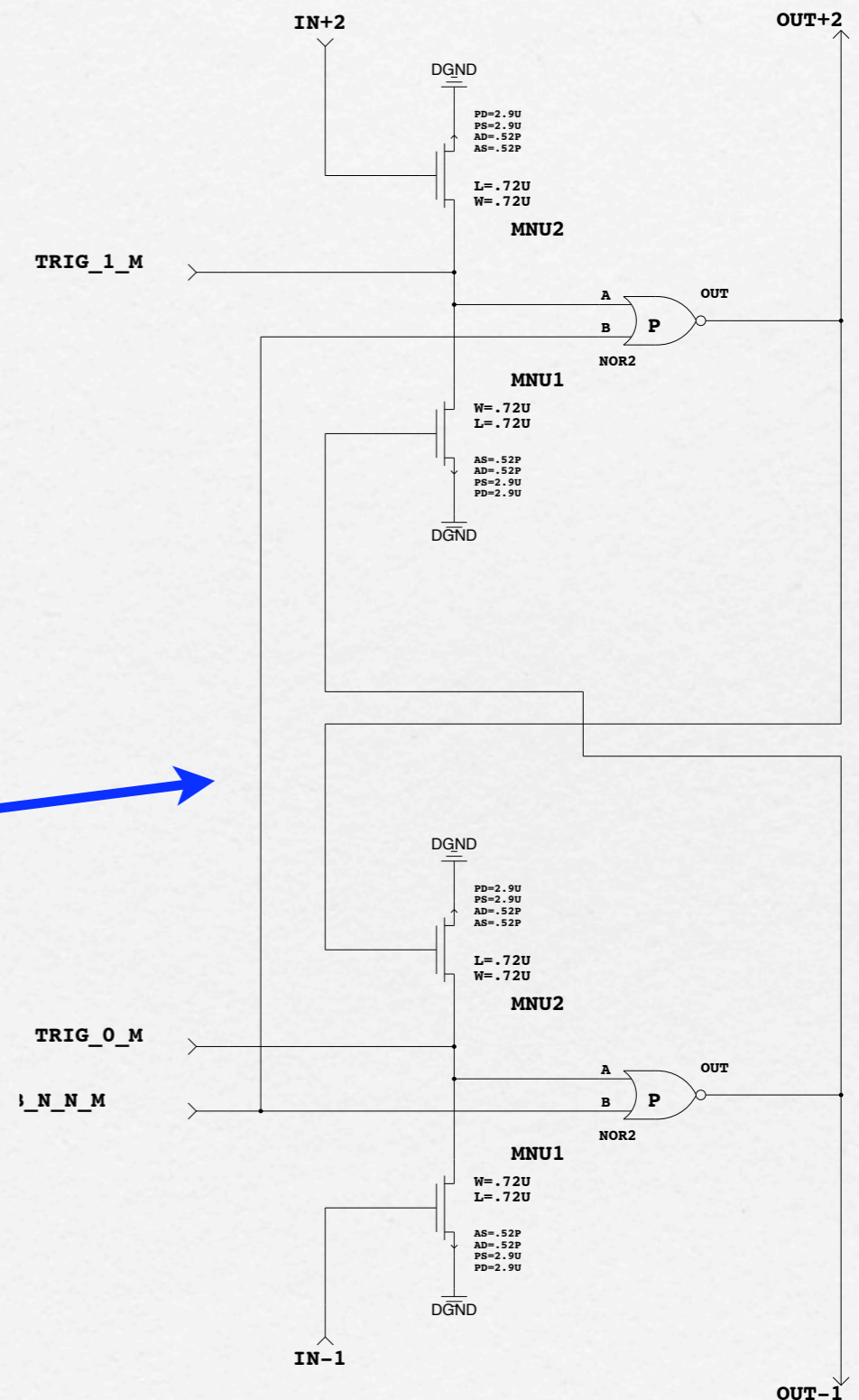
# Sensors

- Prototype design shown at Vancouver has been detailed at FNAL
- Will have review of design and specs in next few weeks
- Anticipate delivery from HPK Spring 2007



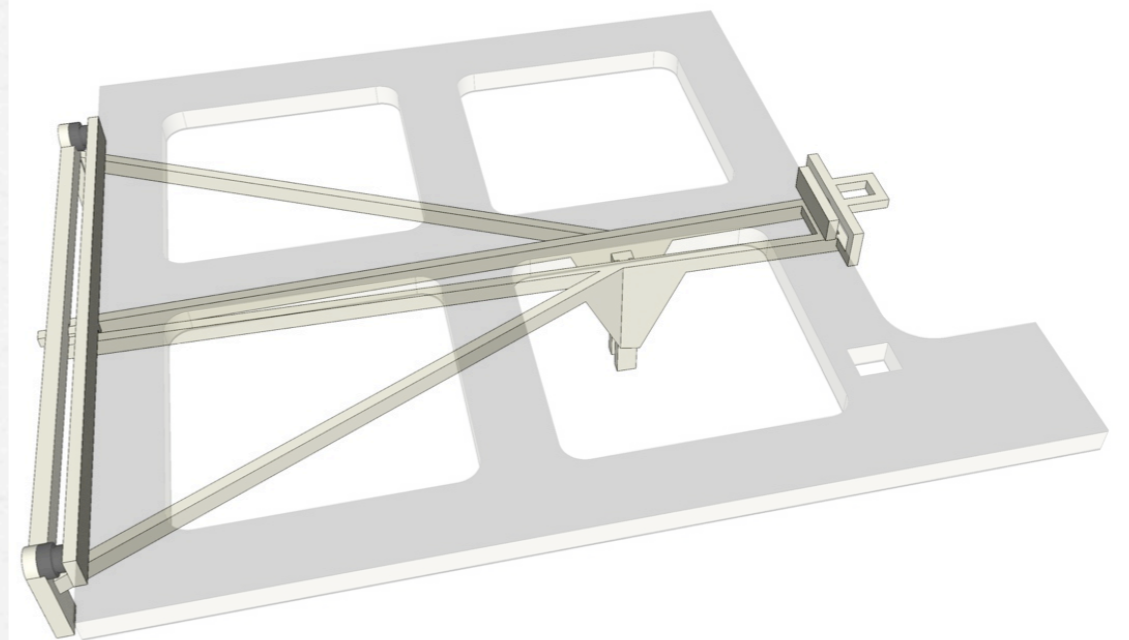
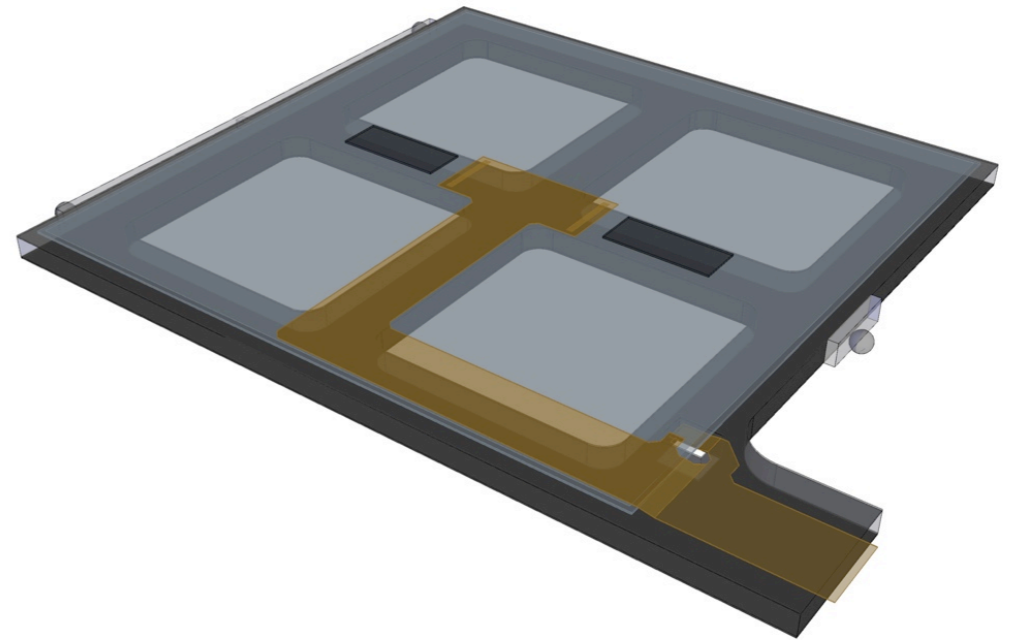
# KPiX

- KPiX3-64, most recent prototype:  
see David Strom's talk
- KPiX4-64 will include nearest-neighbor logic for tracker use
- Anticipate KPiX-1024 during first half 2007



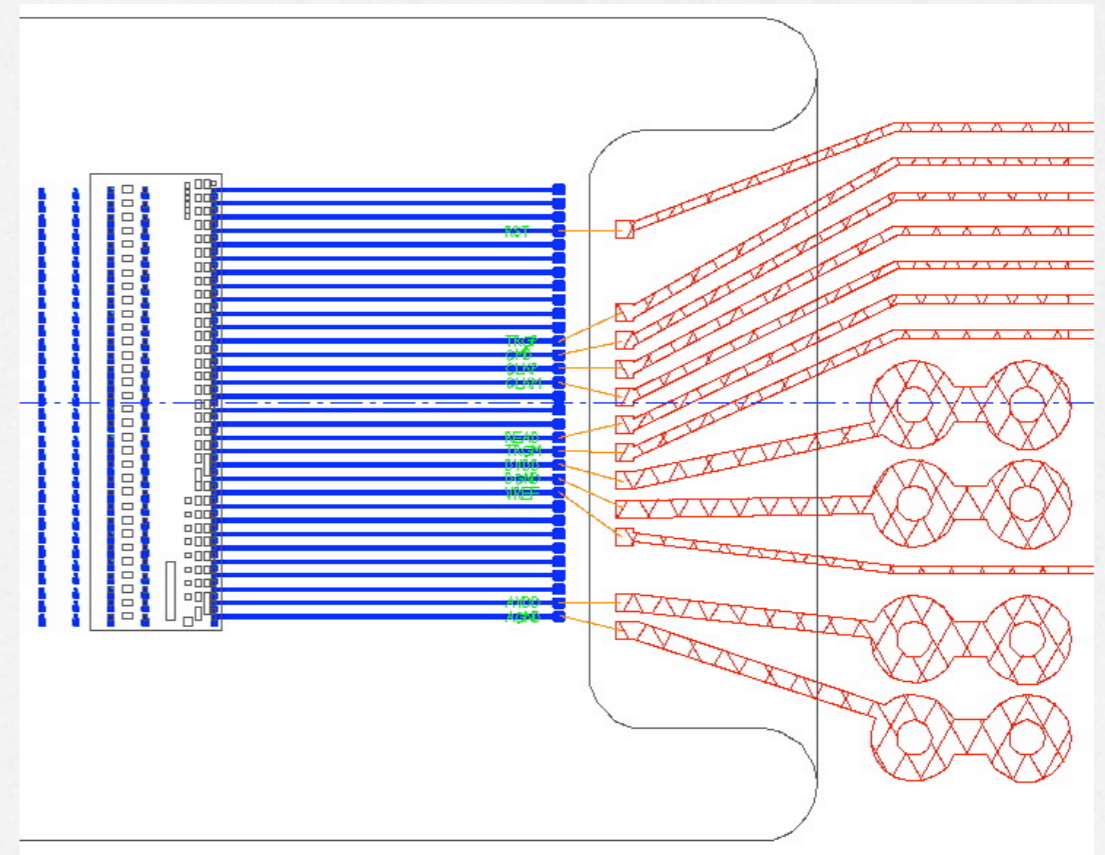
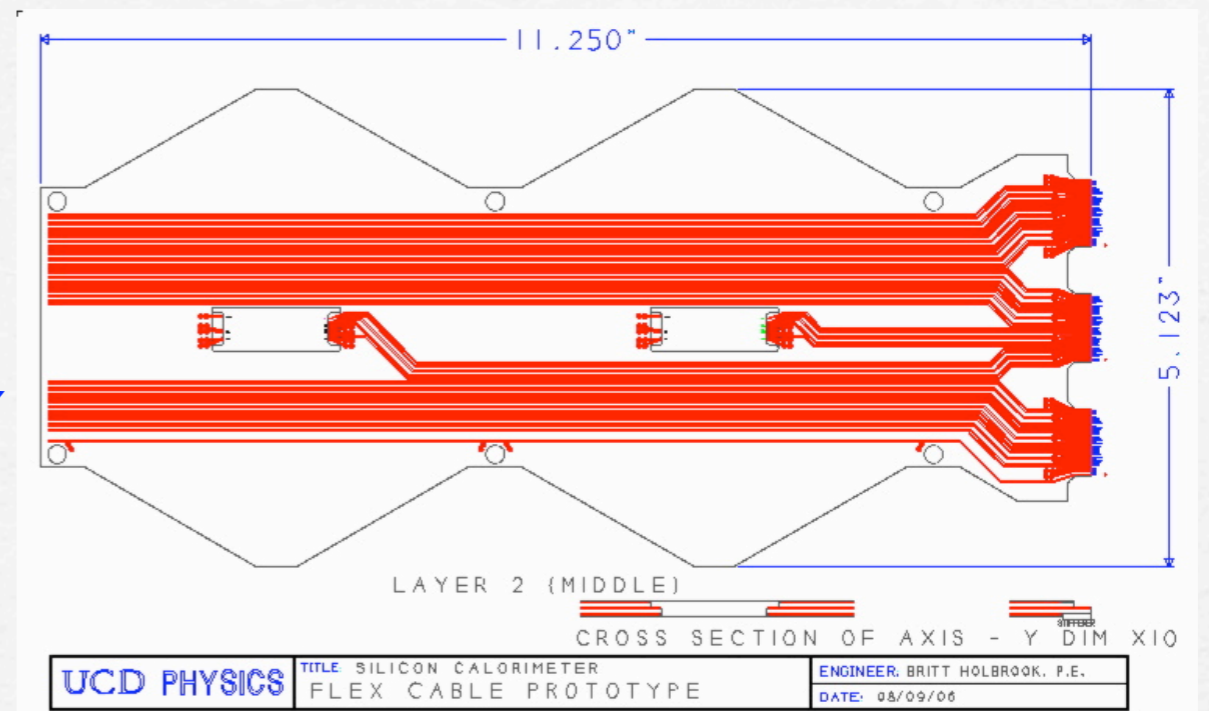
# Support

- Modifications that accommodate final design of prototype sensors underway
- Plan to have support frames/clips rapid-prototyped to test mounting concept



# Cables

- Significant progress on KPIX cables for ECAL
- Modification of finished design for tracker should be straightforward



# Conclusions

- Progress being made on the critical components for modules
- On track to produce a complete module prototype in 2007