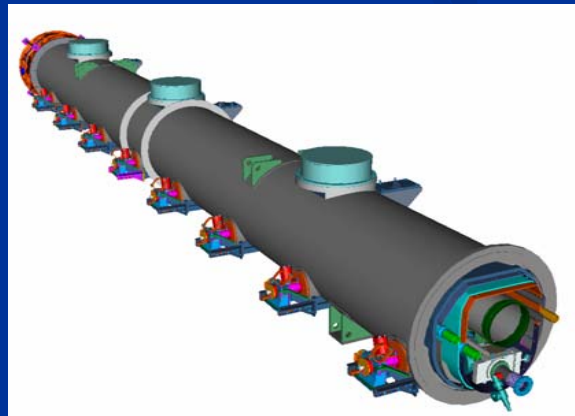


T4CM (NO MAGNET). STATUS

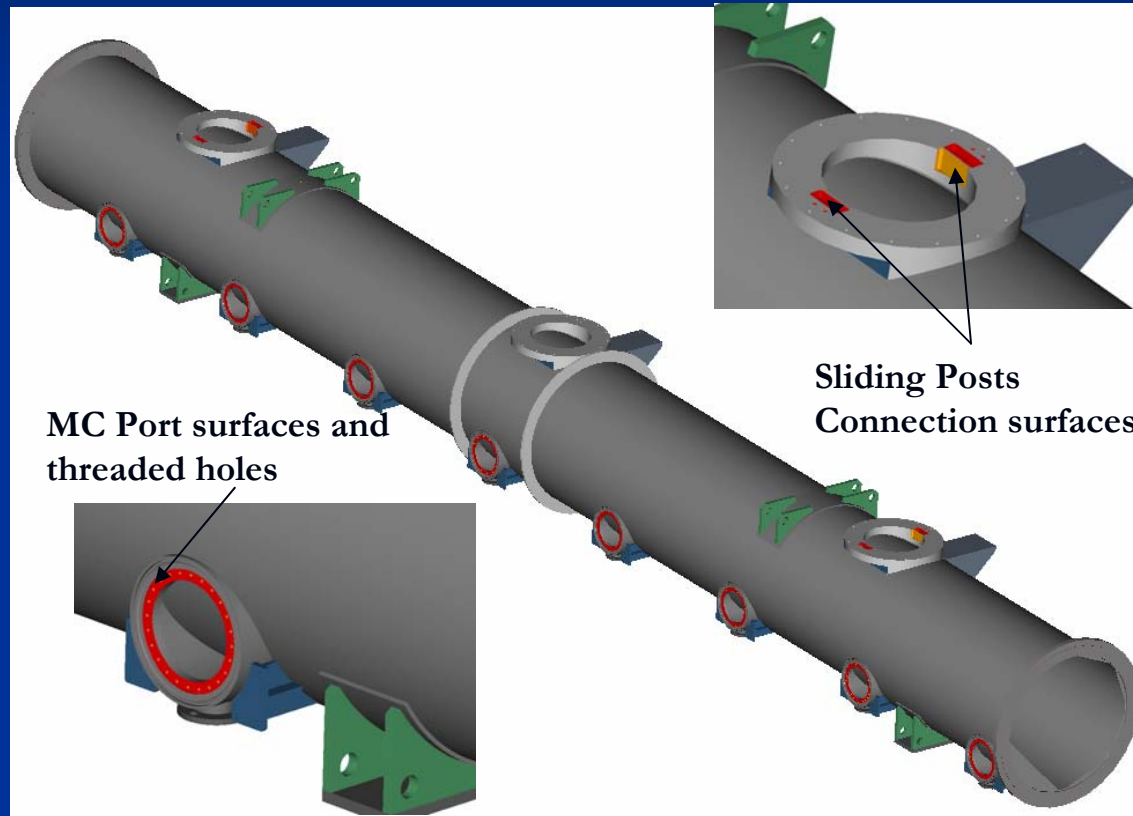
OUTLINE:



- 1. T4CM NO MAGNET CRYOMODULE VESSEL.
- 2. T4CM (NO MAGNET) HELIUM GAS RETURN (HGR) PIPE.
- 3. HEAT SHIELDING 80K.
- 4. HEAT SHIELDING 8K.
- 5. T4CM CRYOMODULES INTERCONNECTION PROPOSAL.



T4CM (NO MAGNET) CRYOMODULE VESSEL

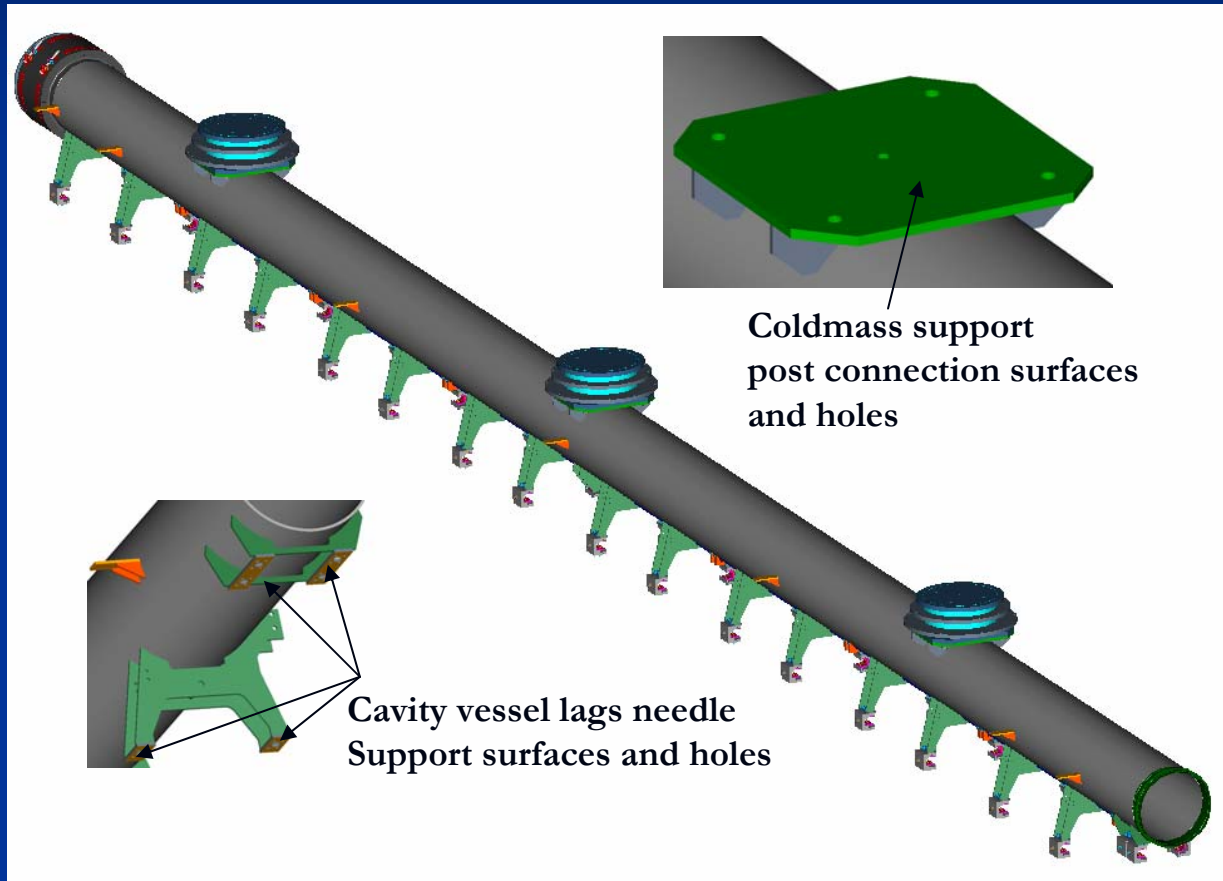


PRODUCTION:

1. Weldment
2. Final Machining

- Drawing package include
31 Drawings

T4CM HGR PIPE WELDMENT & MACHINING

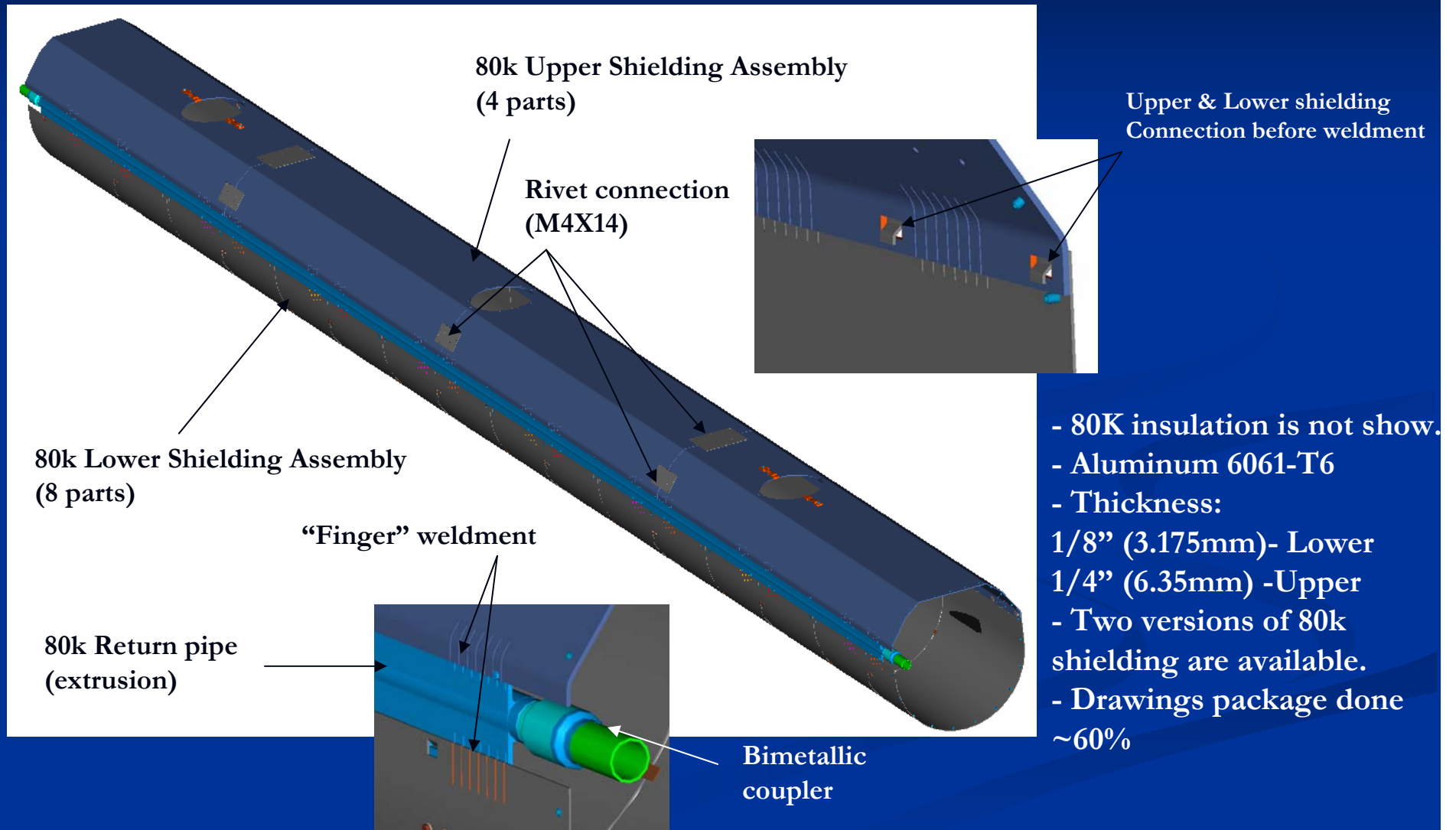


PRODUCTION:

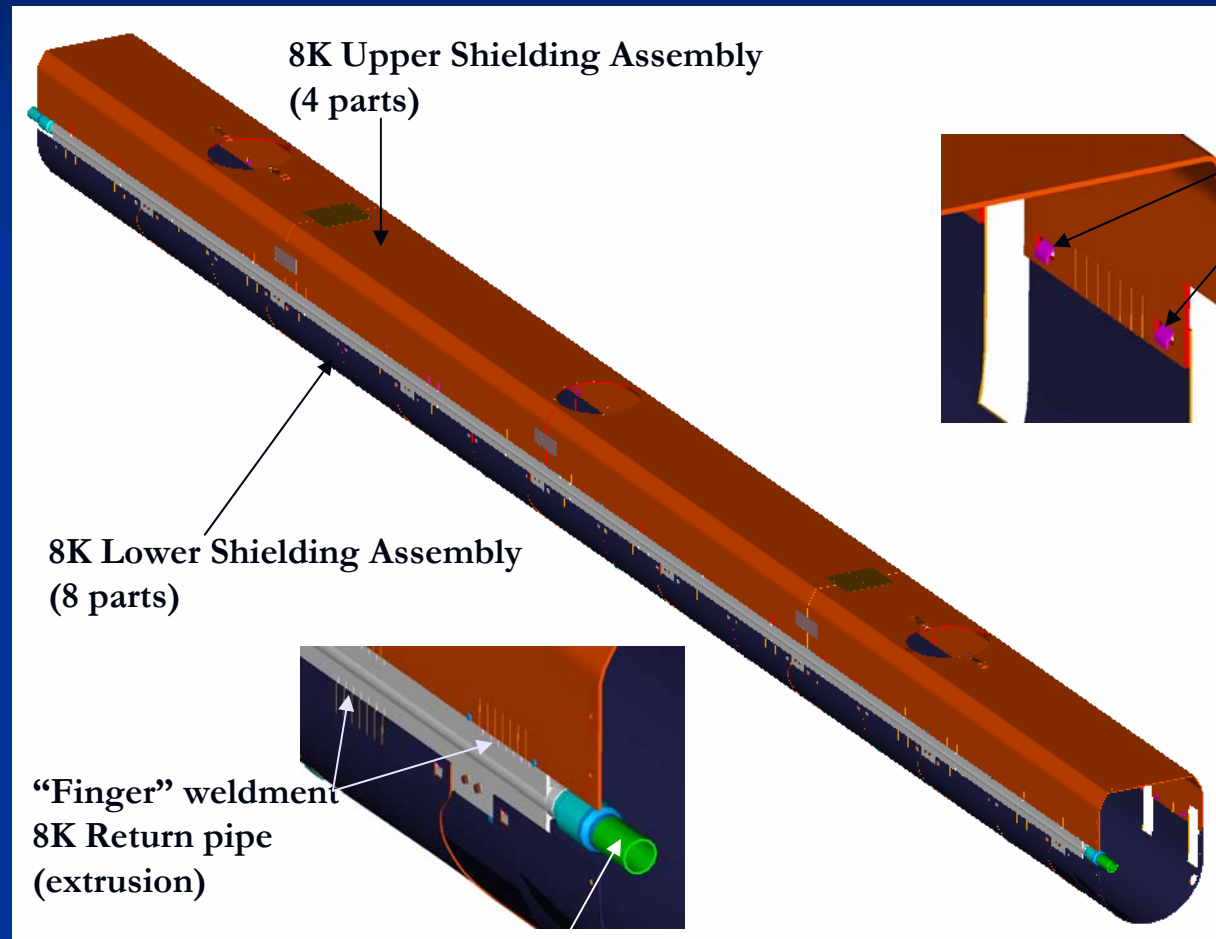
1. Weldment
2. Final Machining

Drawing package done ~70%

T4CM 80K HEAT SHIELDING



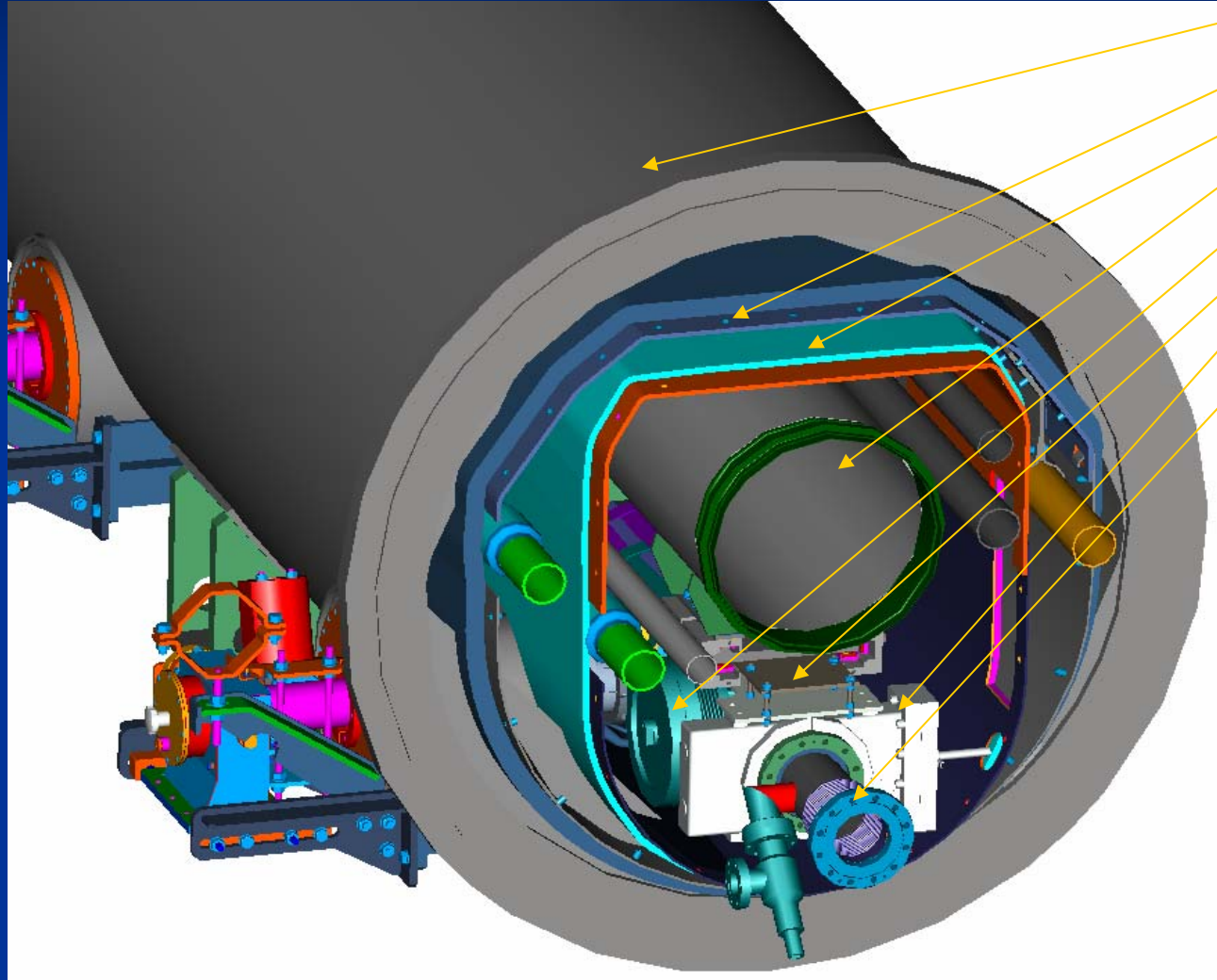
T4CM 8K HEAT SHIELDING



Upper & Lower shielding
Connection before weldment

8K insulation is not show.
- Two versions of 8k
Shielding are available.
- Aluminum 6061-T6
- Thickness:
1/8" (3.175mm)- Lower
1/4" (6.35mm) -Upper
- Drawings package done
~70%

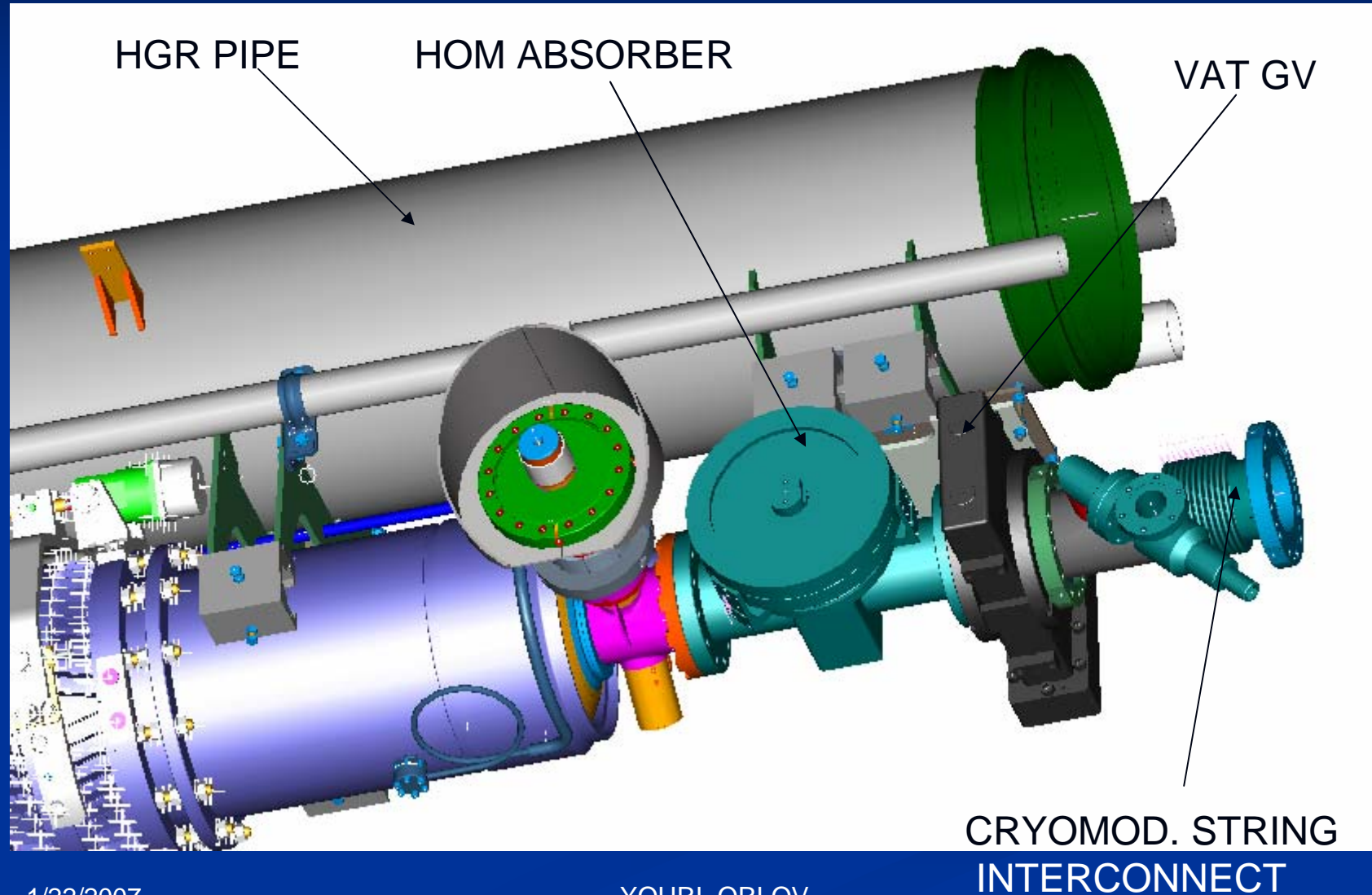
T4CM (No Magnet) Cryomodule DS view (PROPOPSAL)



- Cryomodule vessel
- 80K shielding
- 8K shielding
- HGR Pipe
- Home Absorber
- VAT GV Holder
- VAT CV
- Cavity String
- Interconnect

T4CM CRYOMODULES COMPONENTS -PROPOPSAL

(view without: vessel, 8K & 80K shielding)



T4CM CRYOMODULE CONNECTION (PROPOSAL)

HGR PIPE COMPENSATOR ASSY
HGR PIPE "CONNECTION RING"
CRYOMODULE STRING INTERCONNECT
GATE VALVE
HOM ABSORBER

