

# IR Engineering Design

John Amann

ILC Mechanical Engineering

01/23/07



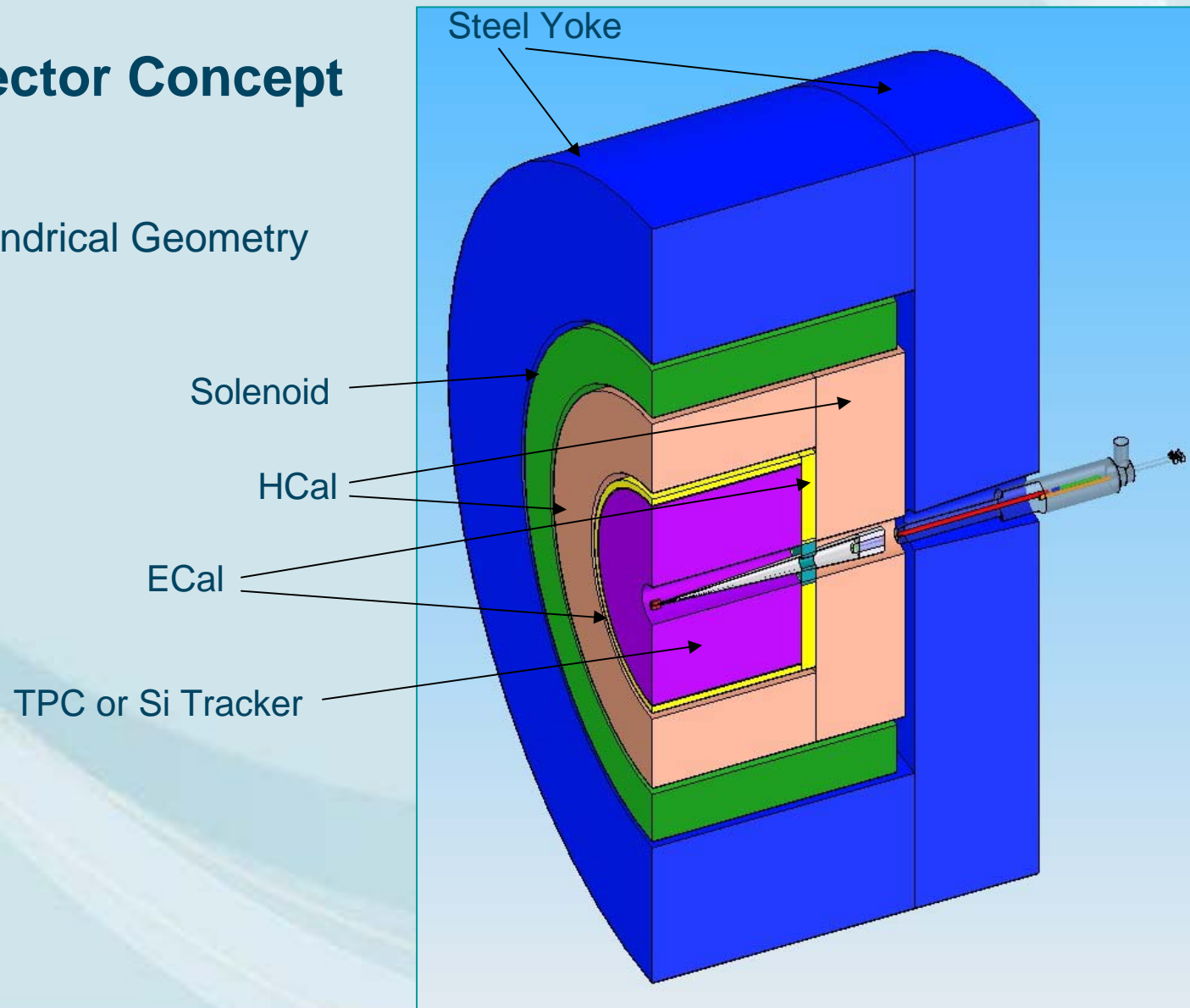
SLAC



International Linear Collider  
at Stanford Linear Accelerator Center

# “Generic” Detector Concept

Simplified to Cylindrical Geometry

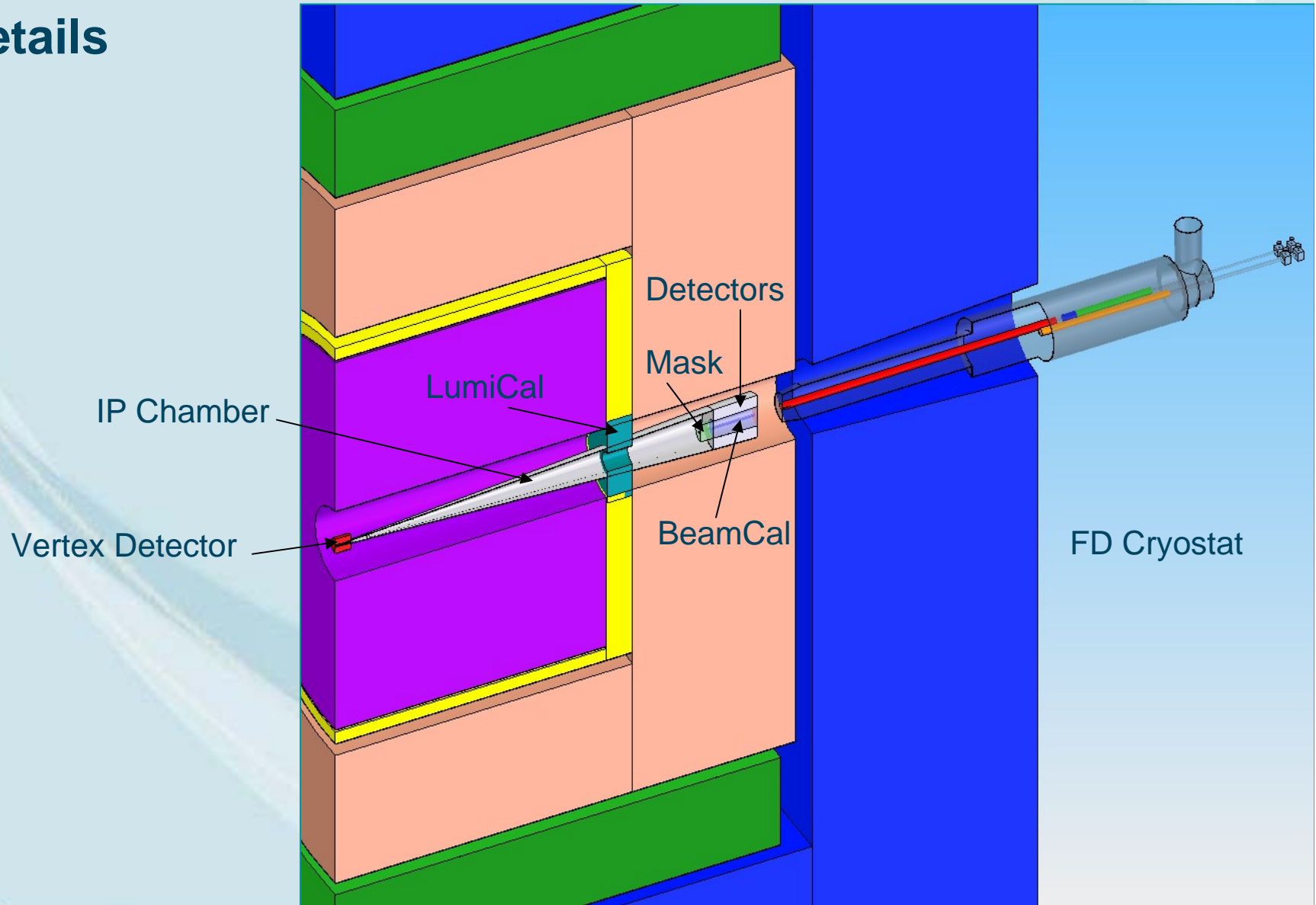


SLAC



International Linear Collider  
at Stanford Linear Accelerator Center

# IR Details

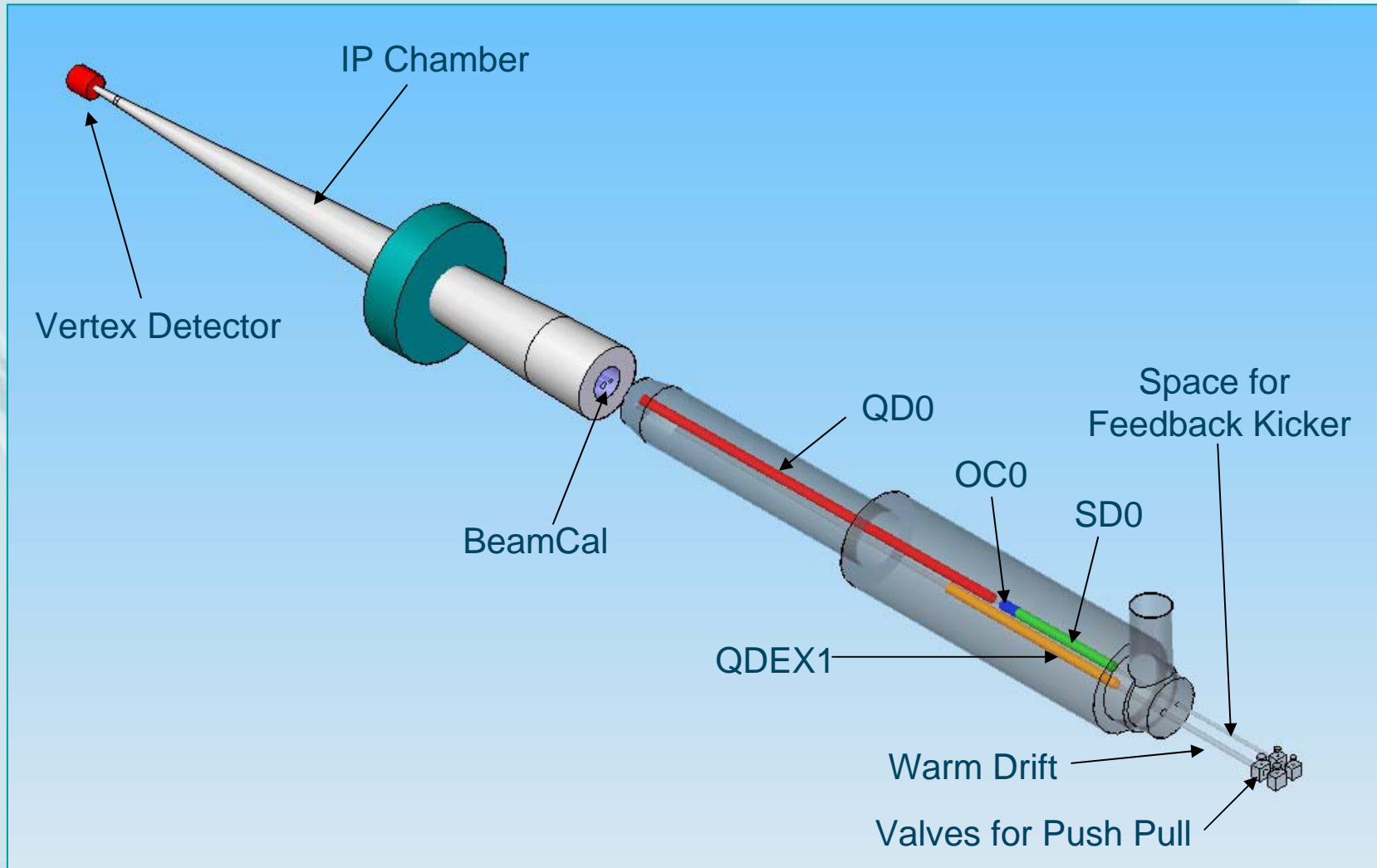


SLAC



International Linear Collider  
at Stanford Linear Accelerator Center

# IP Chamber and FD Cryostat Detail



SLAC



International Linear Collider  
at Stanford Linear Accelerator Center