

IR Engineering Design

Continuing Thoughts

John Amann

ILC Mechanical Engineering

01/30/07

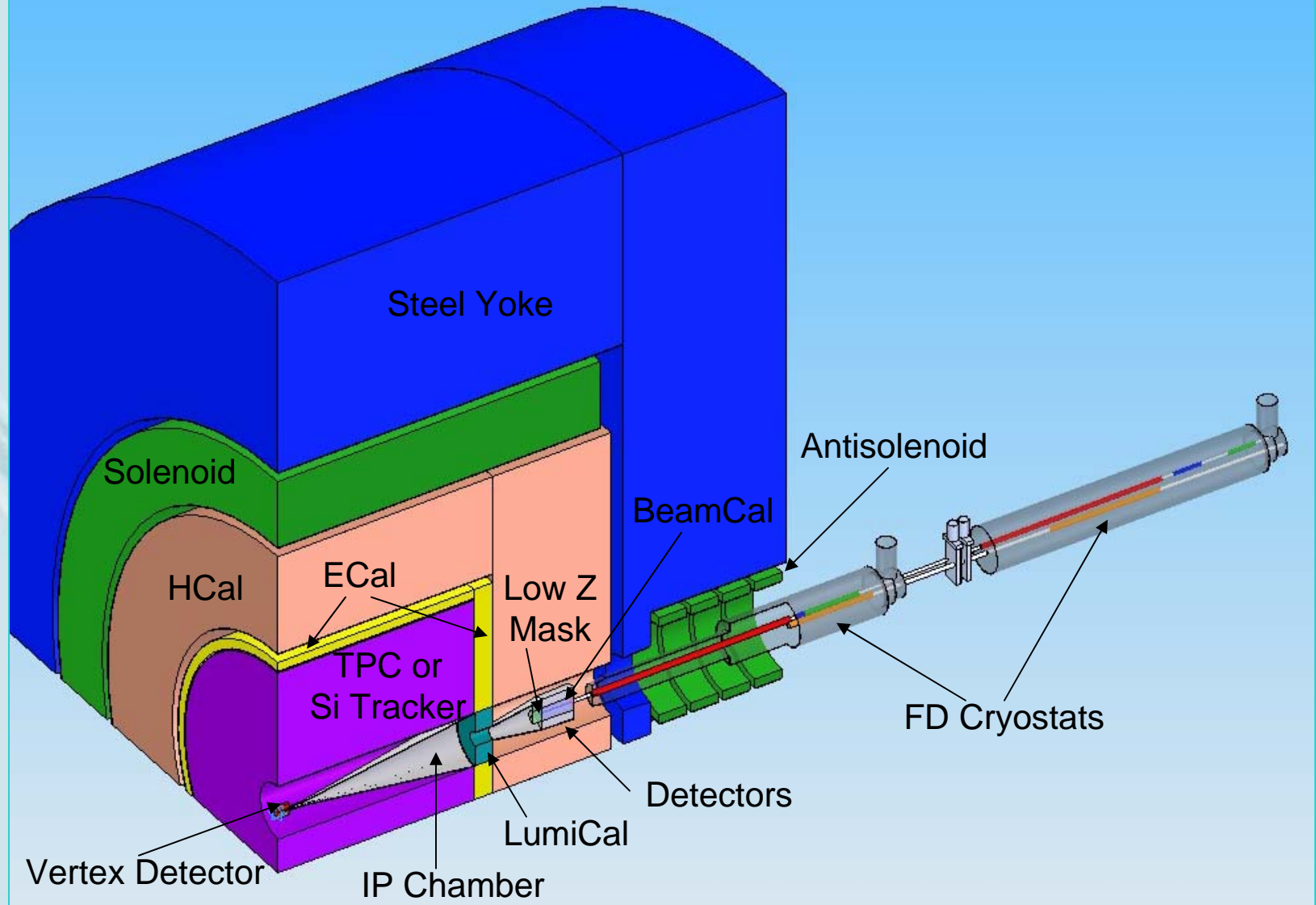


SLAC



International Linear Collider
at Stanford Linear Accelerator Center

Generic Detector Concept - IR Details

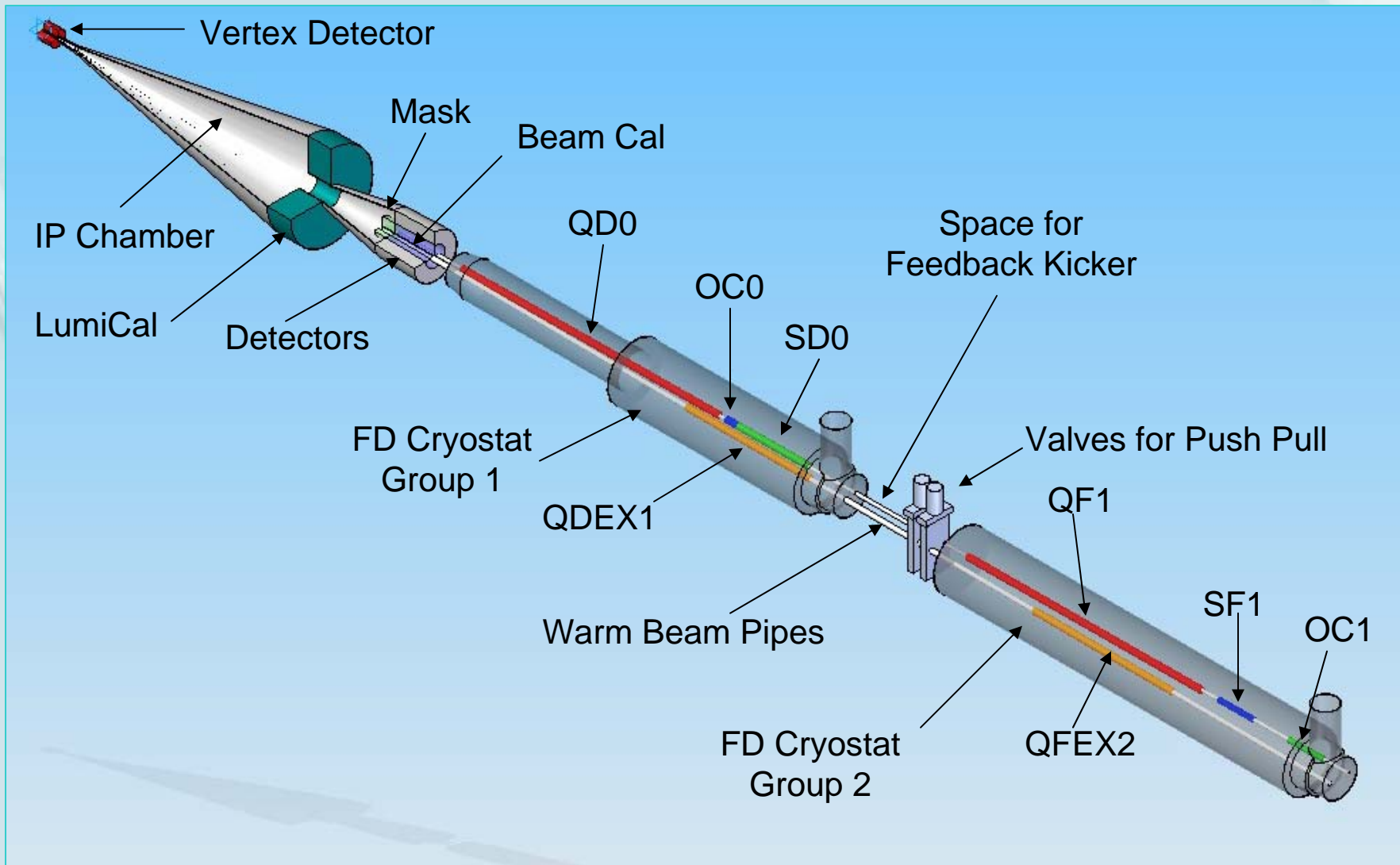


SLAC



International Linear Collider
at Stanford Linear Accelerator Center

Vertex Chamber and FD Cryostat Details



SLAC



International Linear Collider
at Stanford Linear Accelerator Center

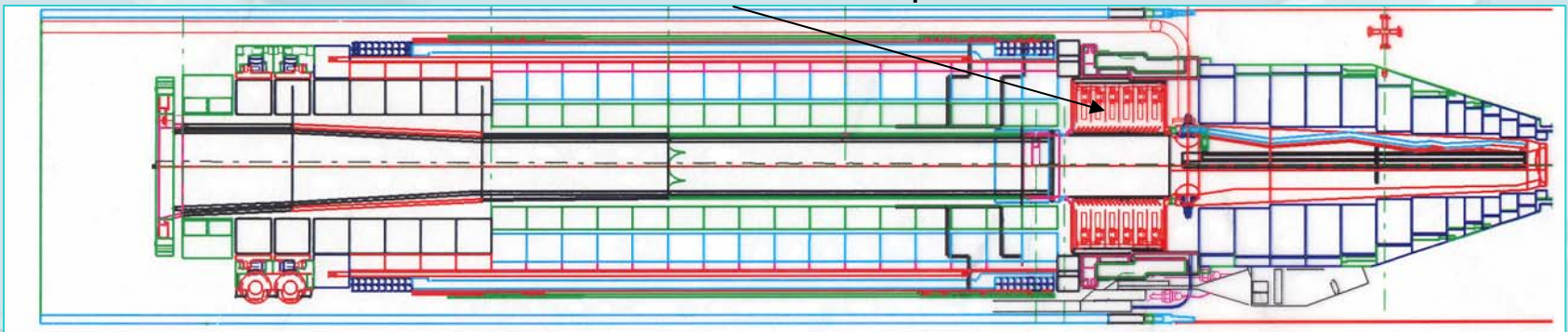
Radial Ion Pumps/NEG Coated Chambers – Locations?

Radial Ion Pump Here?

Radial Ion Pump Here?

NEG Coated Chambers?

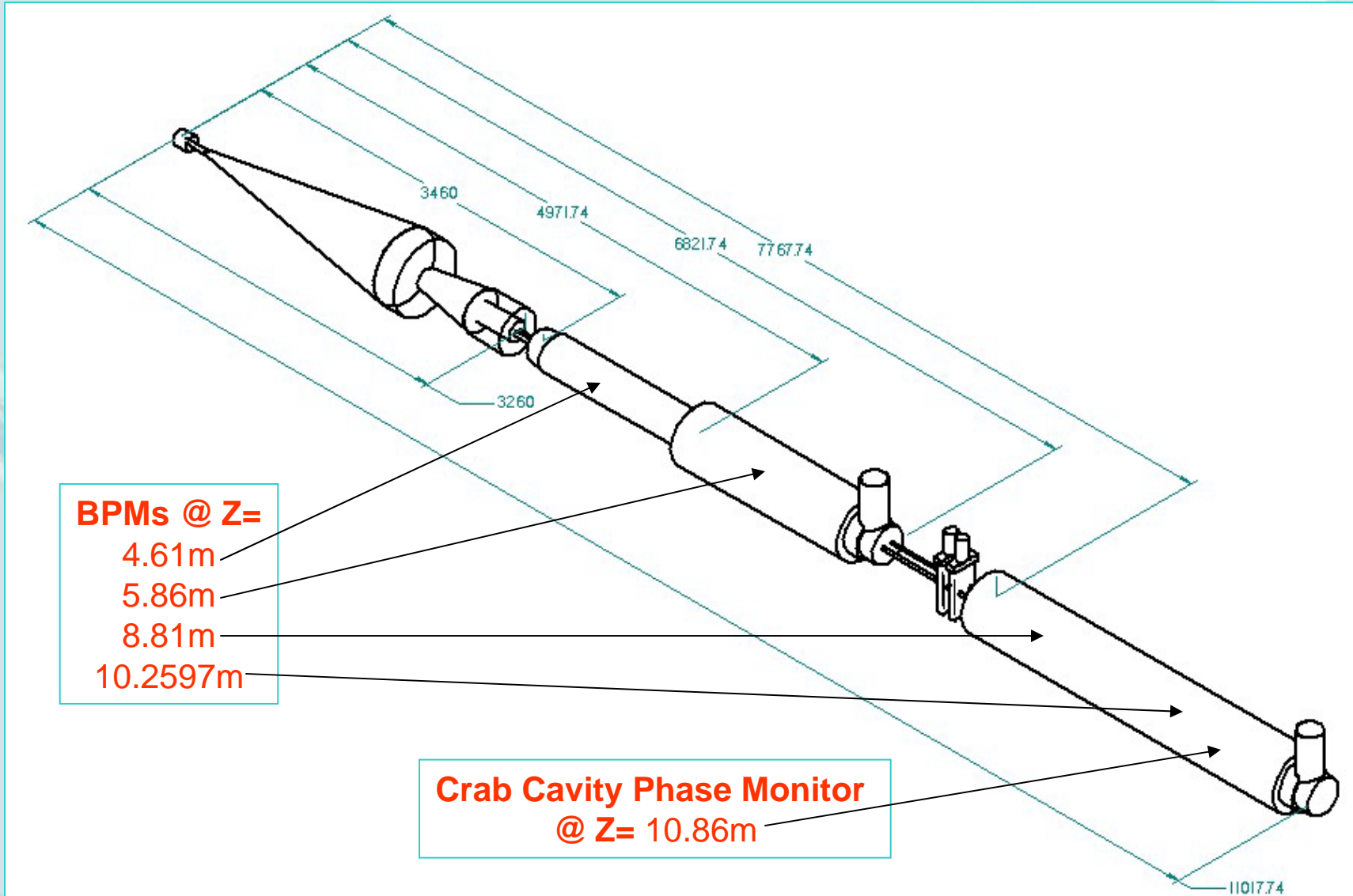
PEP-II Radial Ion Pump



SLAC

 International Linear Collider
at Stanford Linear Accelerator Center

BPM Locations (from Woodley's list)?



SLAC



International Linear Collider
at Stanford Linear Accelerator Center