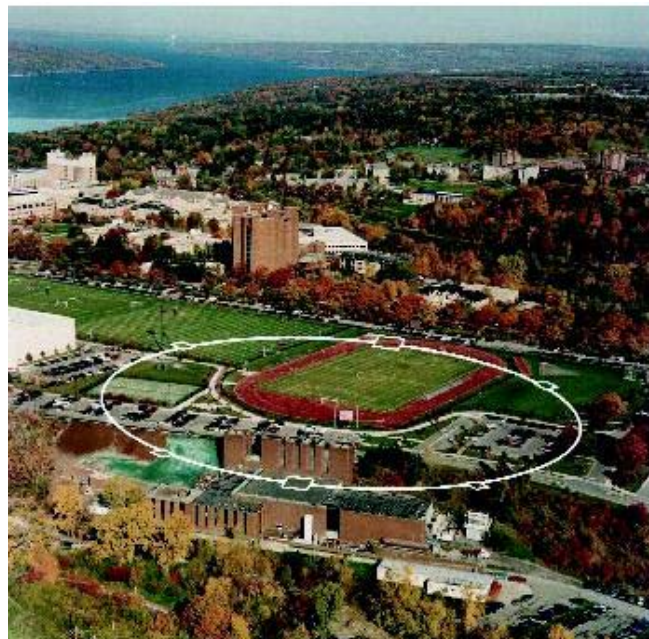


# RFA Development and Experimental Measurements at Cesium-TA

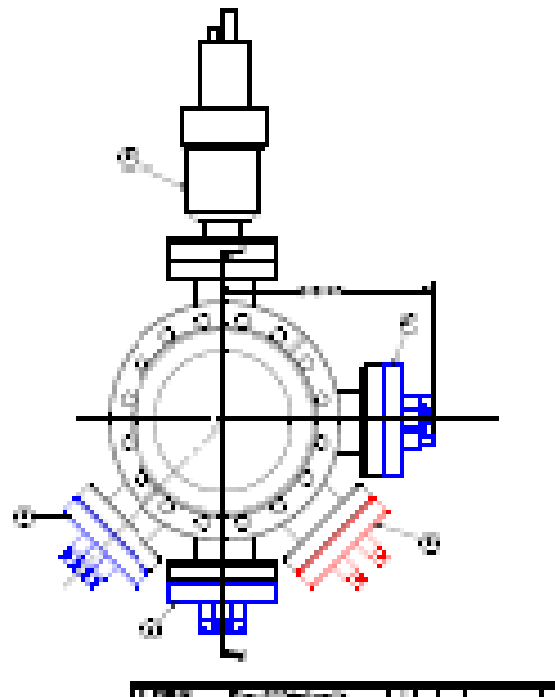
Shlomo Greenwald

July 9, 2008

*Cornell Laboratory for  
Accelerator-Based Sciences and Education*



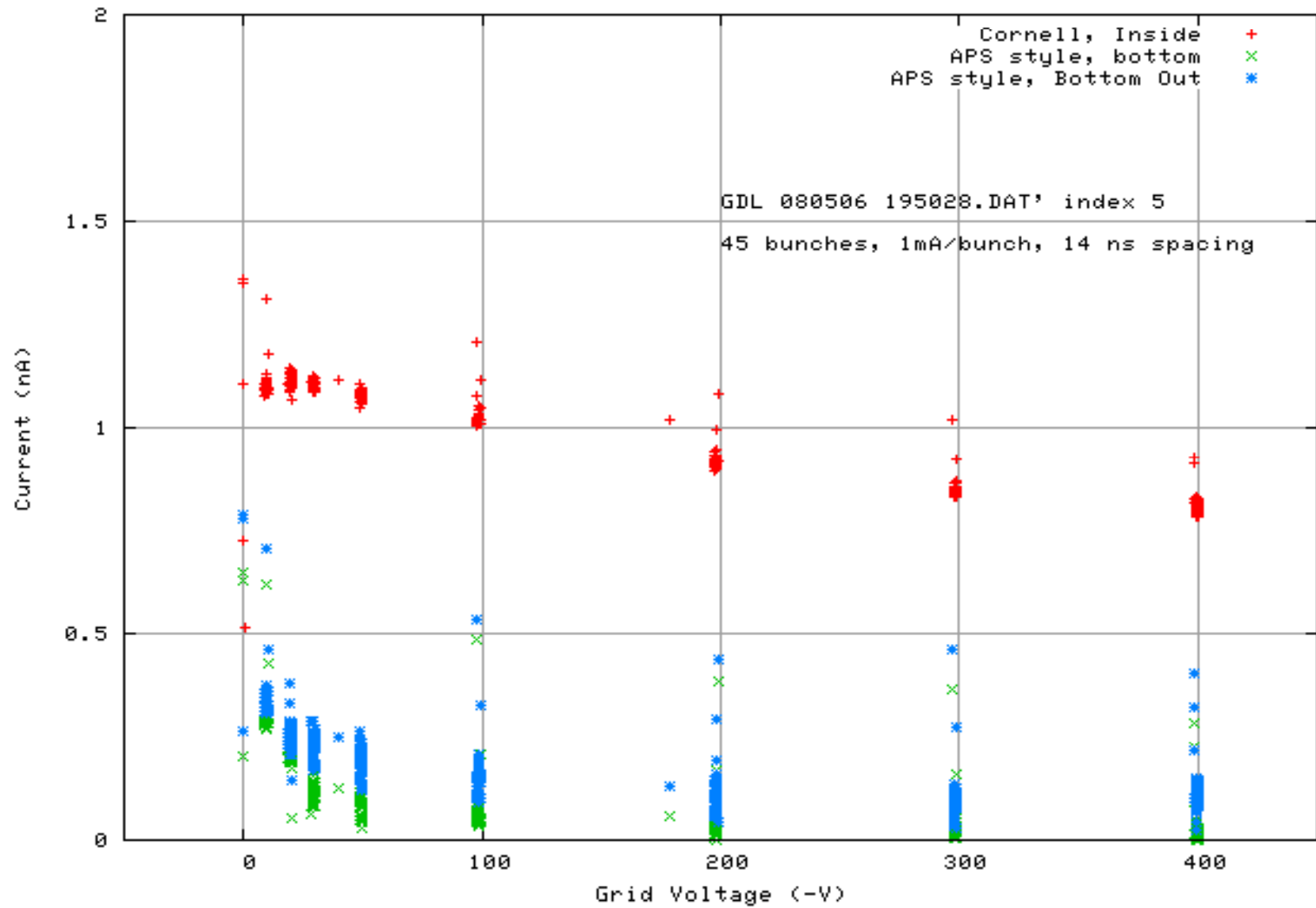
# L3 BEAM PIPE INCLUDING THE RFAS



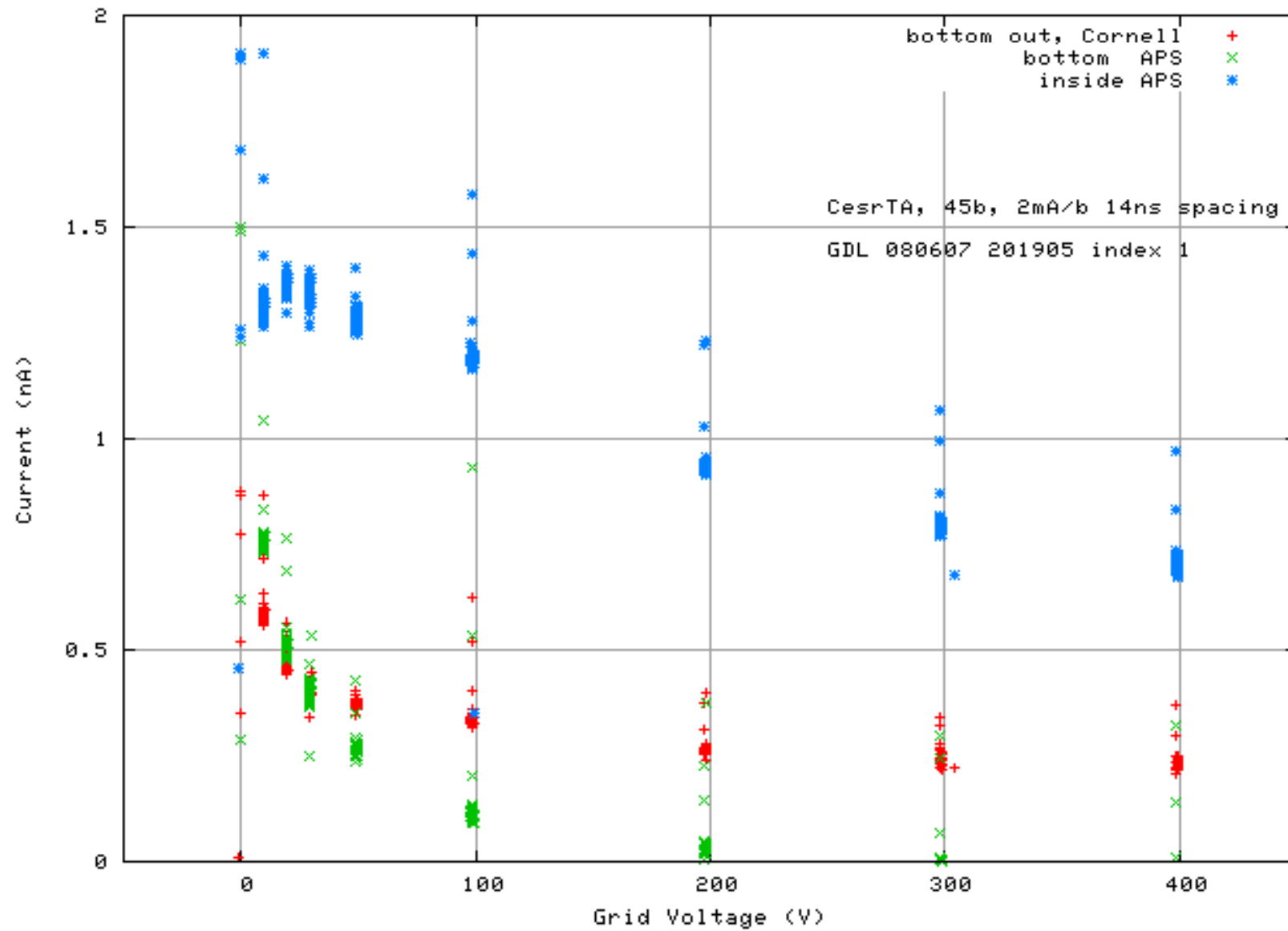




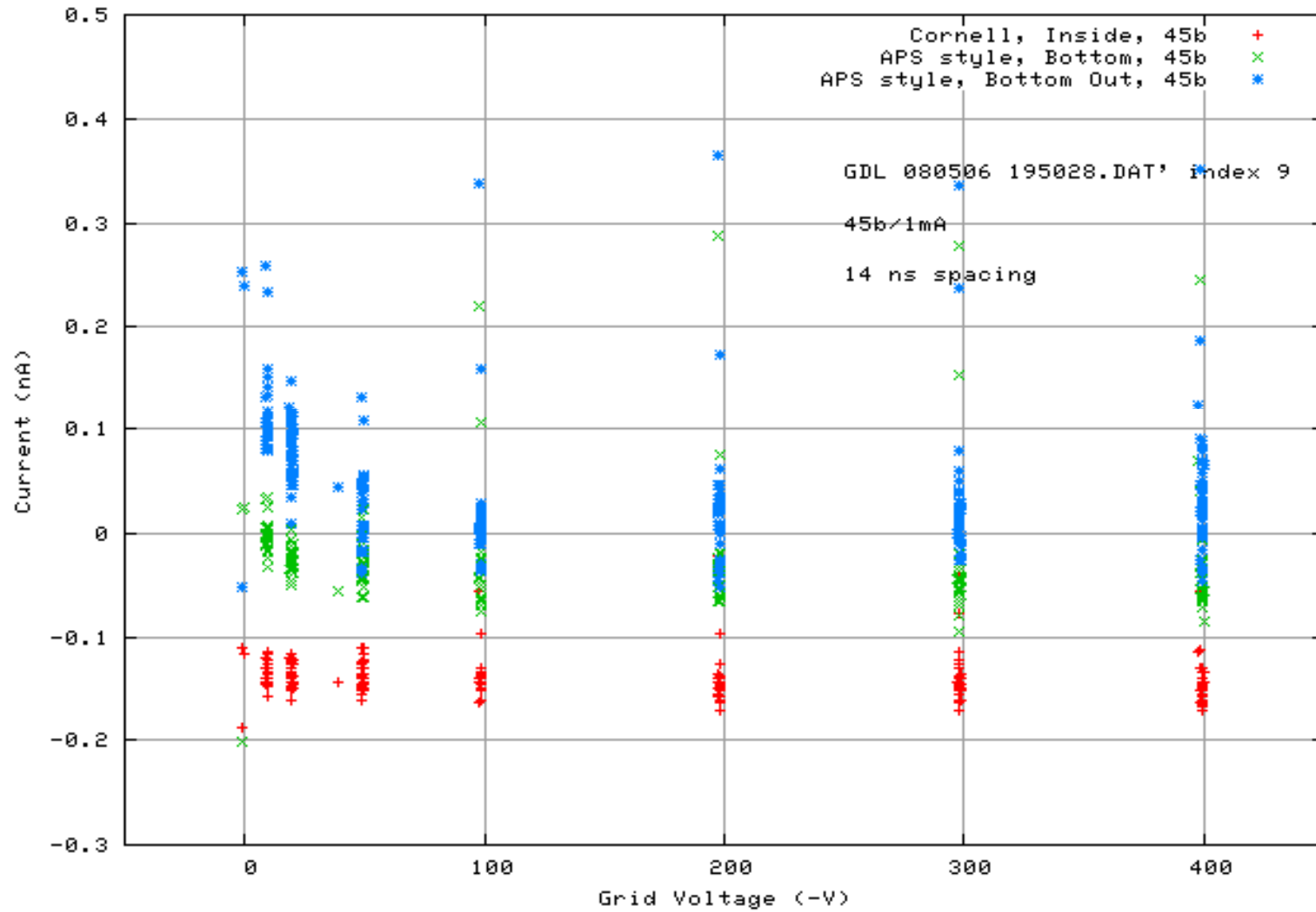
L3 RFA, 5.3 GeV  $V_c = 20V$



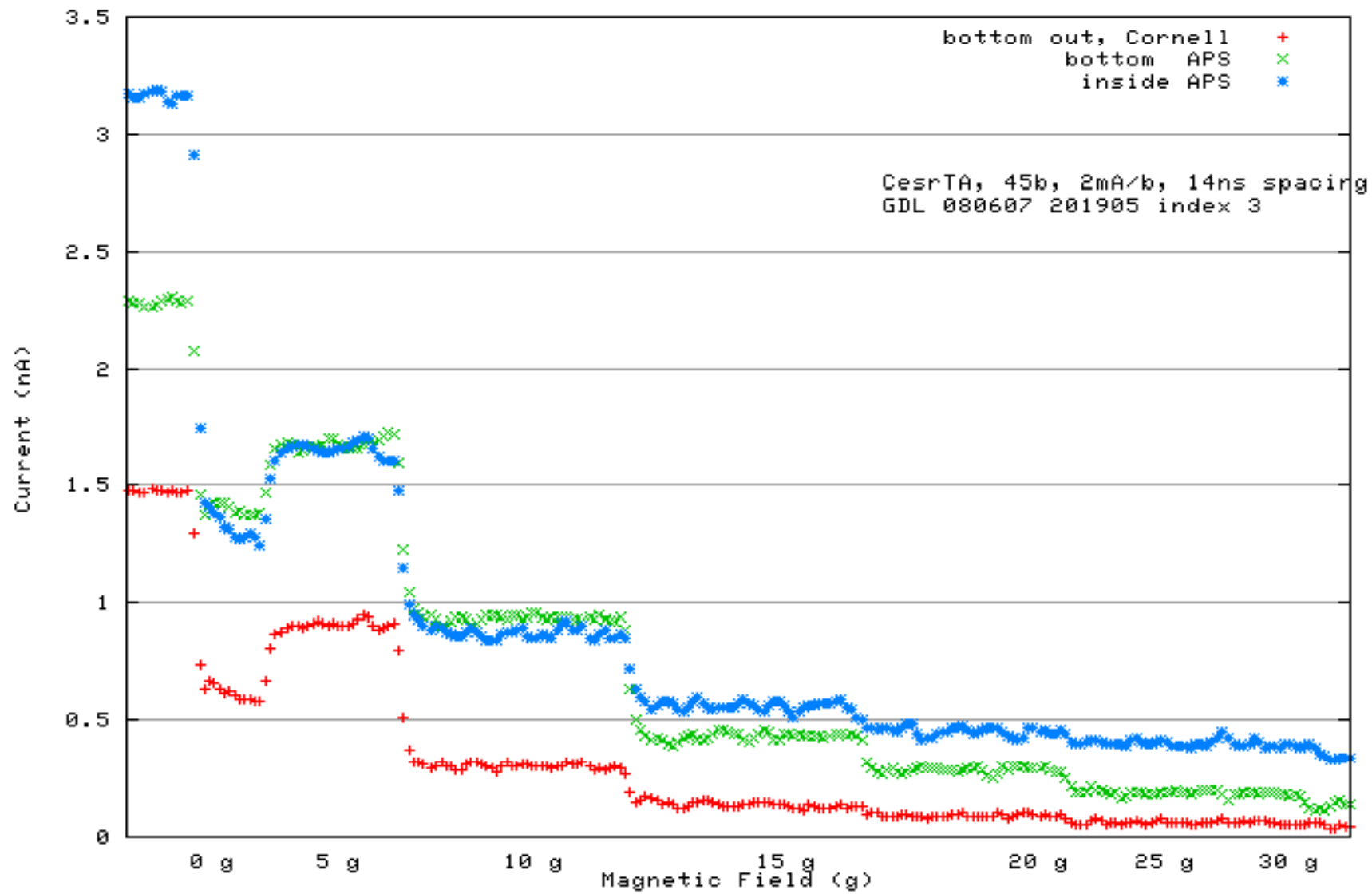
L3 RFA, Grid scan, 5.3GeV, Vc=20V



L3 RFA, 5.3 GeV Vc=50V, Positrons

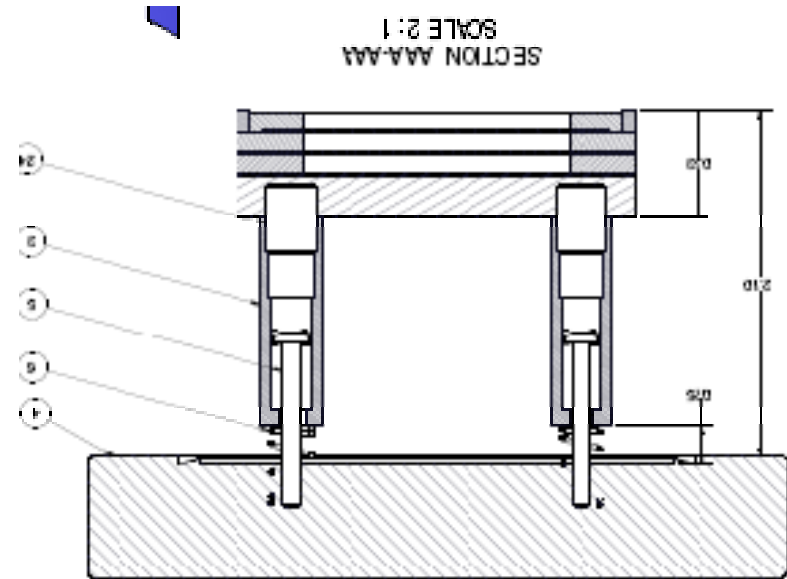


L3 RFA, Magnetic Scan, 0-30g 5g steps, 5.3GeV, Vc = 69V

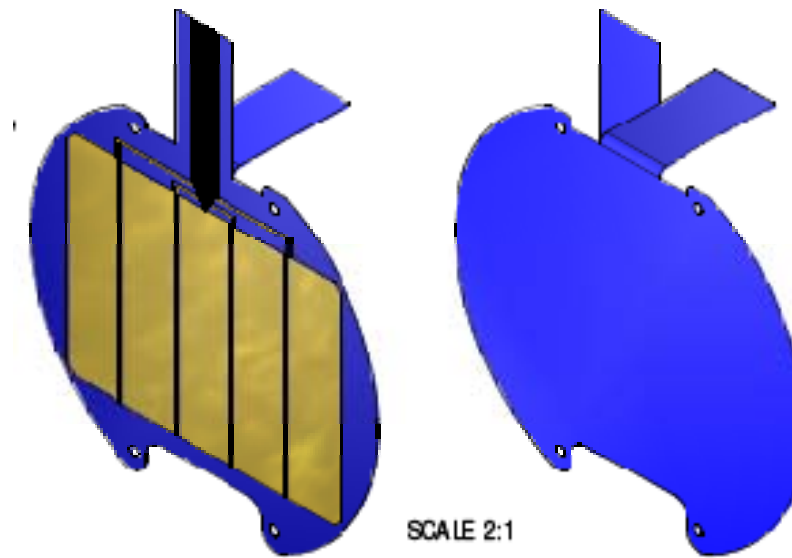




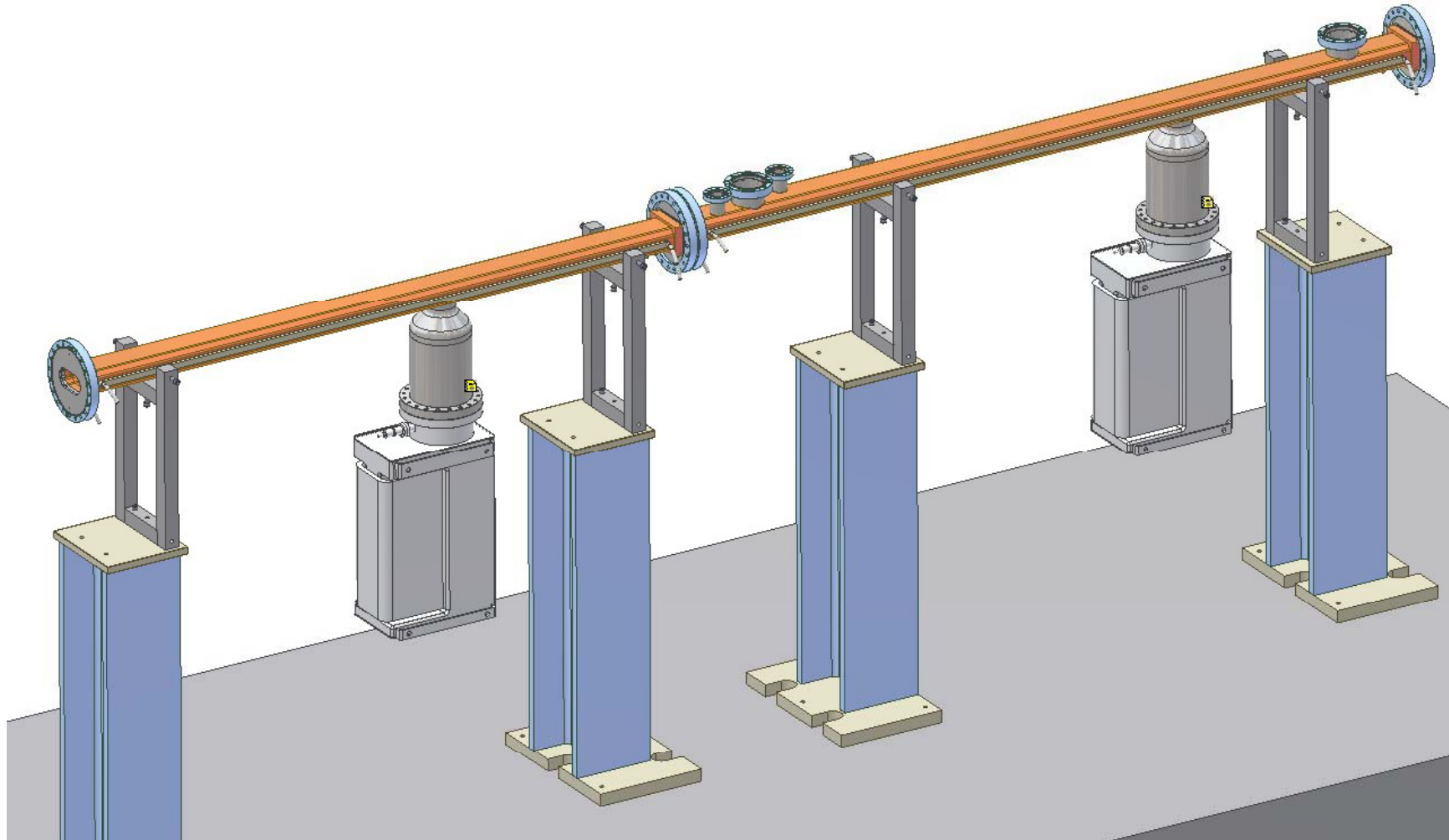
# Insertable Segmented RFA



# Segmented RFA Collectors

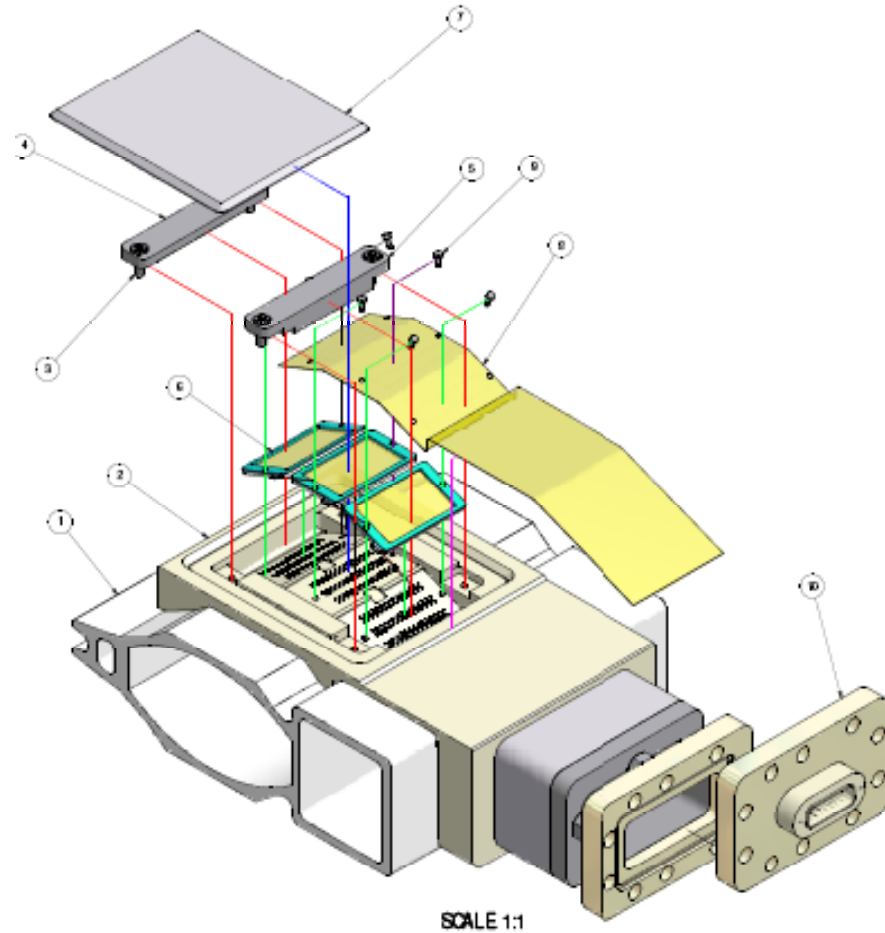


11 Collector

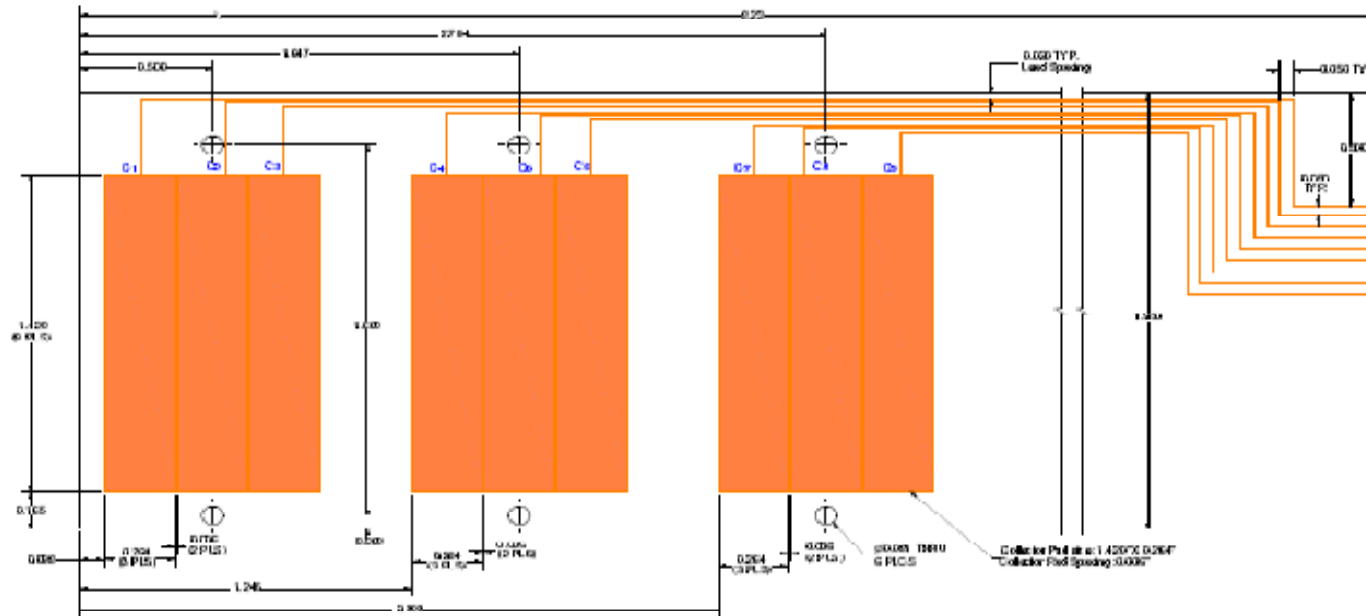


WIGGLERS AT 14AW AND 14BW REPLACEMENT CHAMBERS

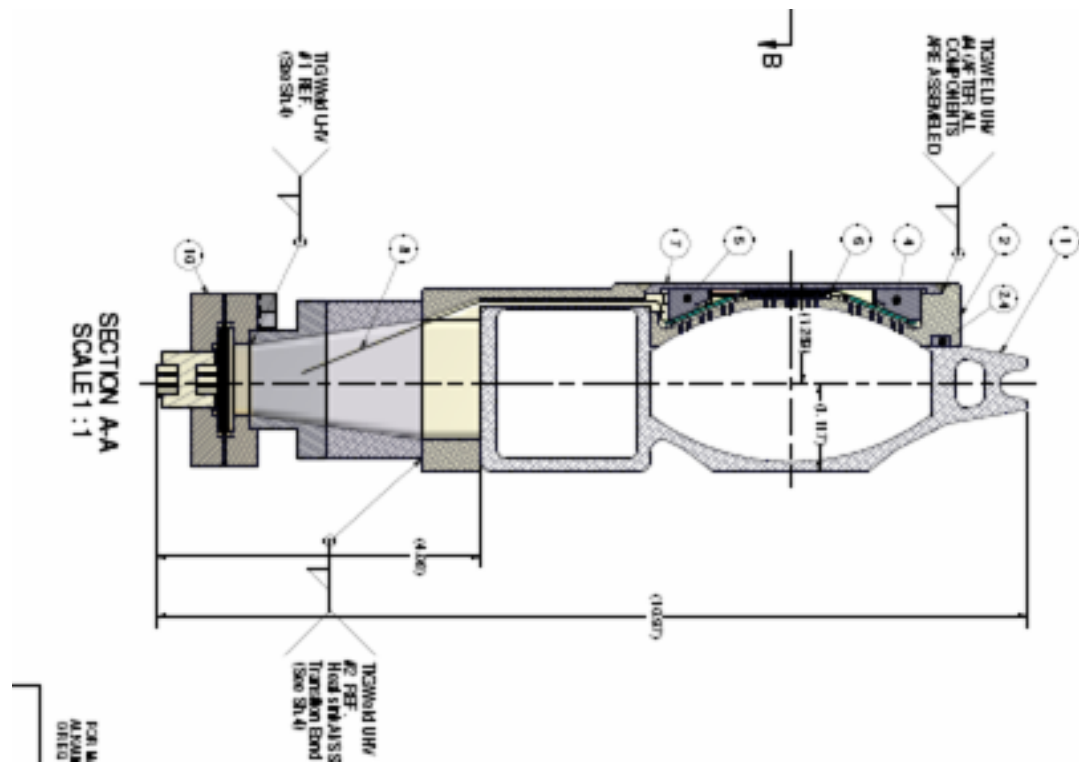
# Dipole Chamber RFA



# Dipole RFA Segmented Collectors

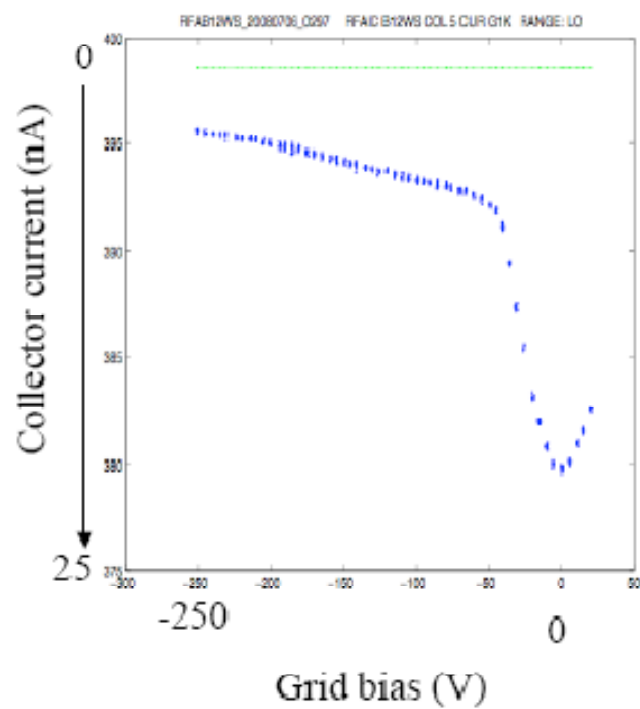


# Dipole RFA Installed In CESR Beam pipe



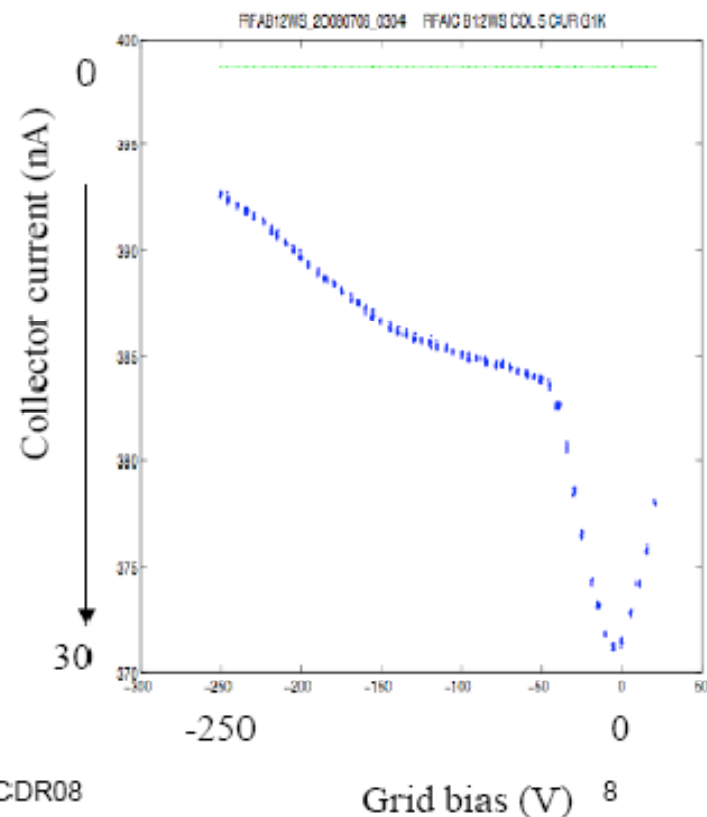
# RFA Measurements at B12WS Drift 9 Bunches, 280nsec, 5mA/Bunch

## Positrons



Central pad  
July 8, 2008

## Electrons

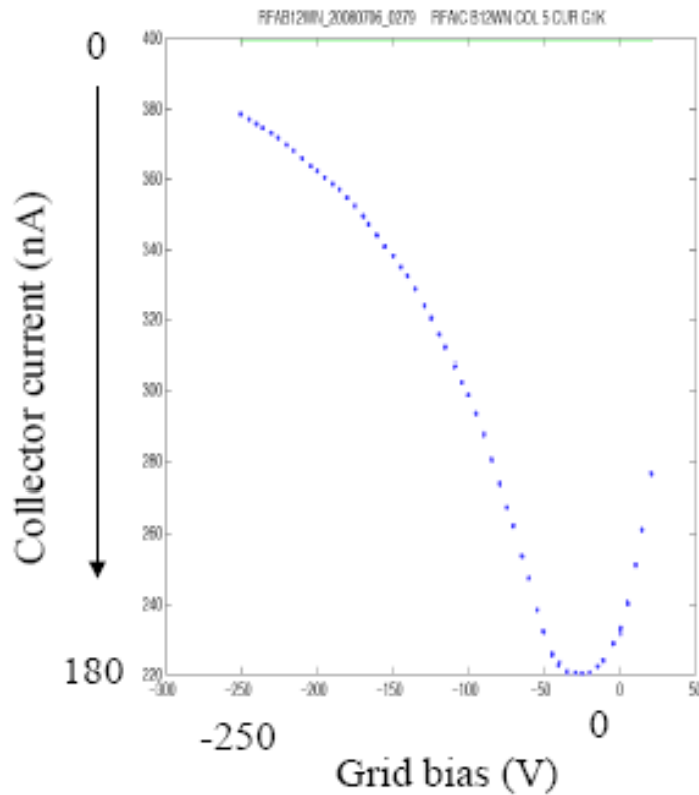


ILCDR08

Grid bias (V) 8

# RFA Measurements in B12WN Dipole Positrons 5.3Gev

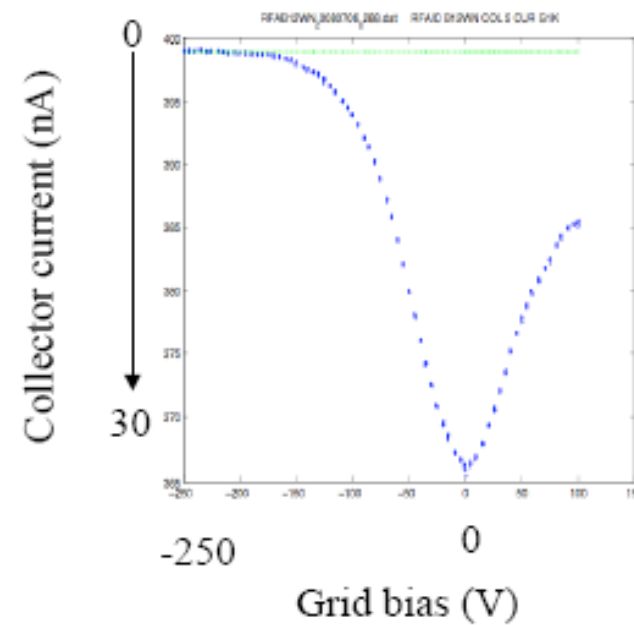
45 bunches, 14 ns, 1 ma/bunch



July 8, 2008

ILCDR08

45 bunches, 14 ns, 0.5 ma/bunch



Central pad

7