

---

# *EUDET CAD model*



---

**EVO - meeting**

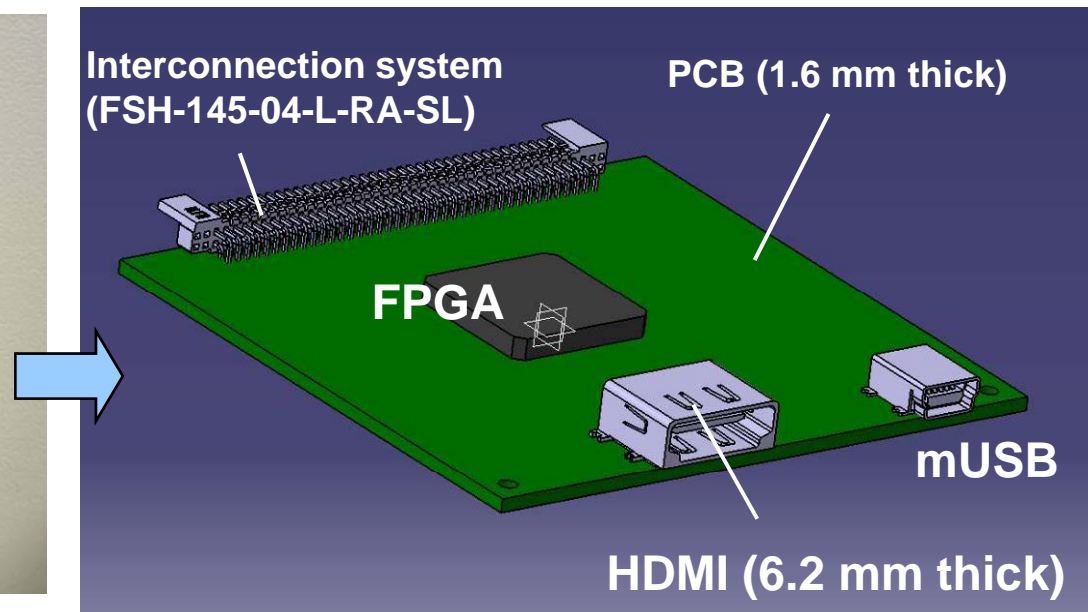


# CAD model of DIF board

- CAD model has been updated with the DIF model
- Main connectors have been integrated (according to the thicker) : need for checking collisions between adjacent layers



*Current design (From Bart)*

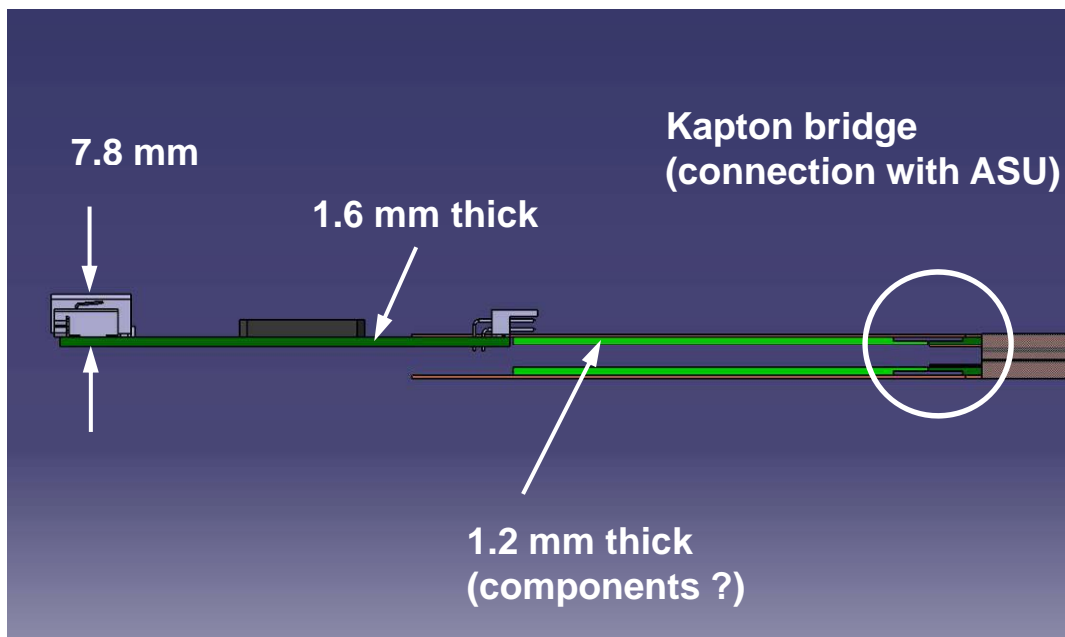
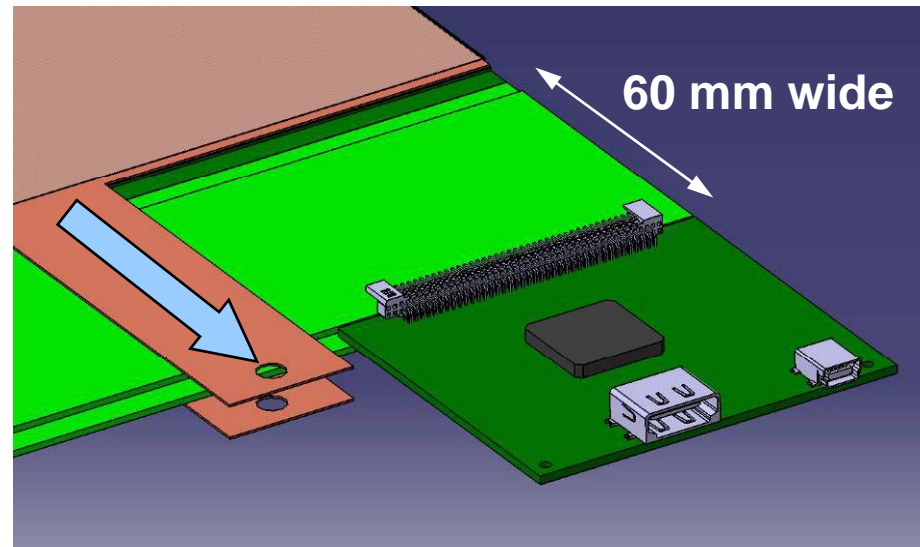


*CAD model*

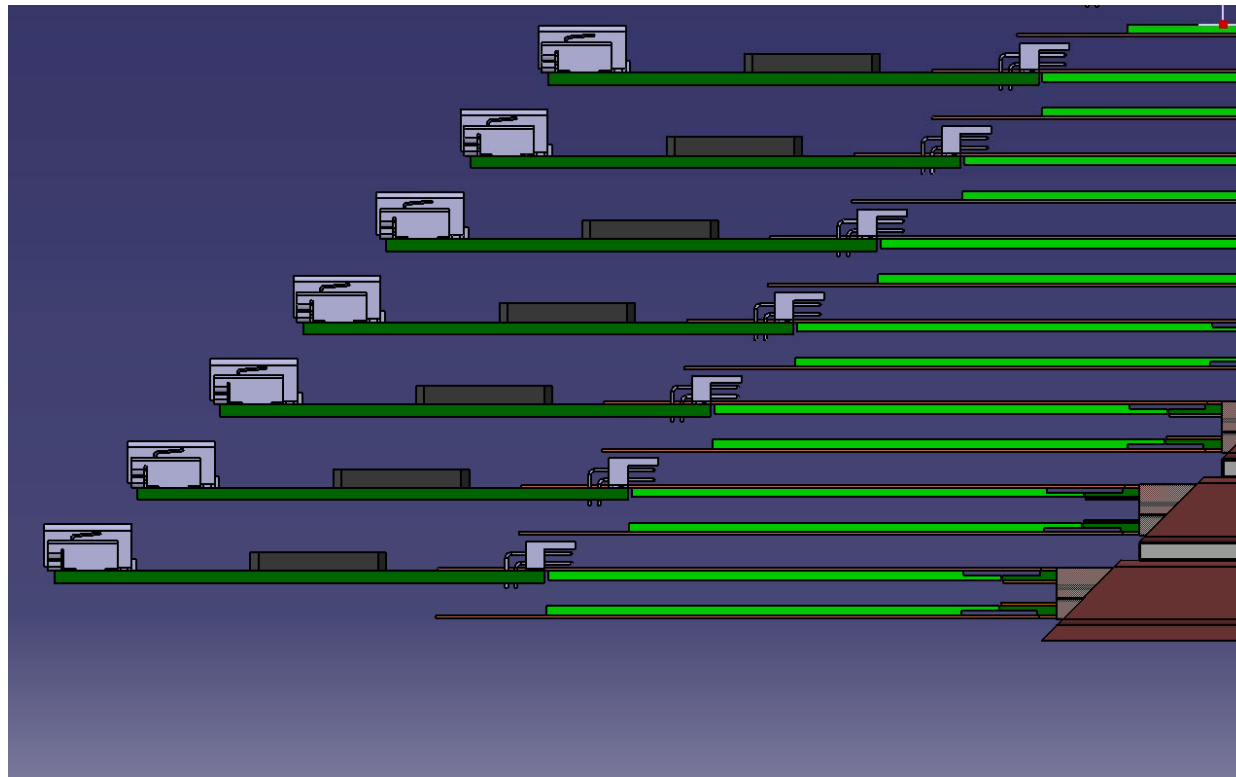
*Dimensions : 73 mm (wide) x 65 mm (long)*

# DIF + interface board

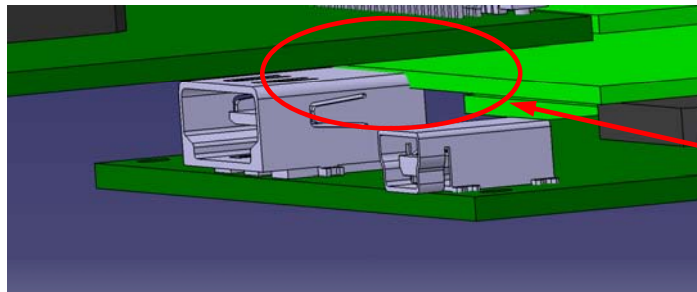
- Dimensions of interface card :  
Need to adjust the length of the copper plate
- same thickness between interface board & ASU ?  
max : 1.5 mm (ASU+Si)
- "HV Kapton" connections on the bottom of the interface board ?



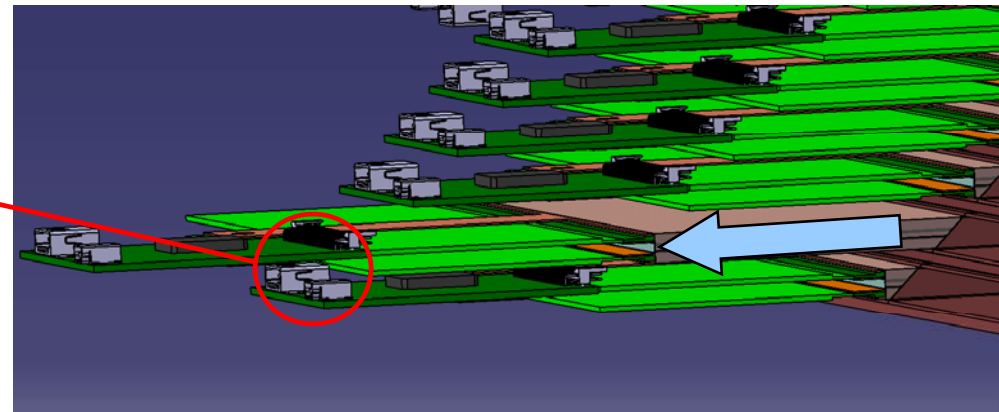
# Global CAD model V1



Need to rotate the DIF board or dismount all DIF before take out the slab



**Problem of collision !**



# Global CAD model V2

