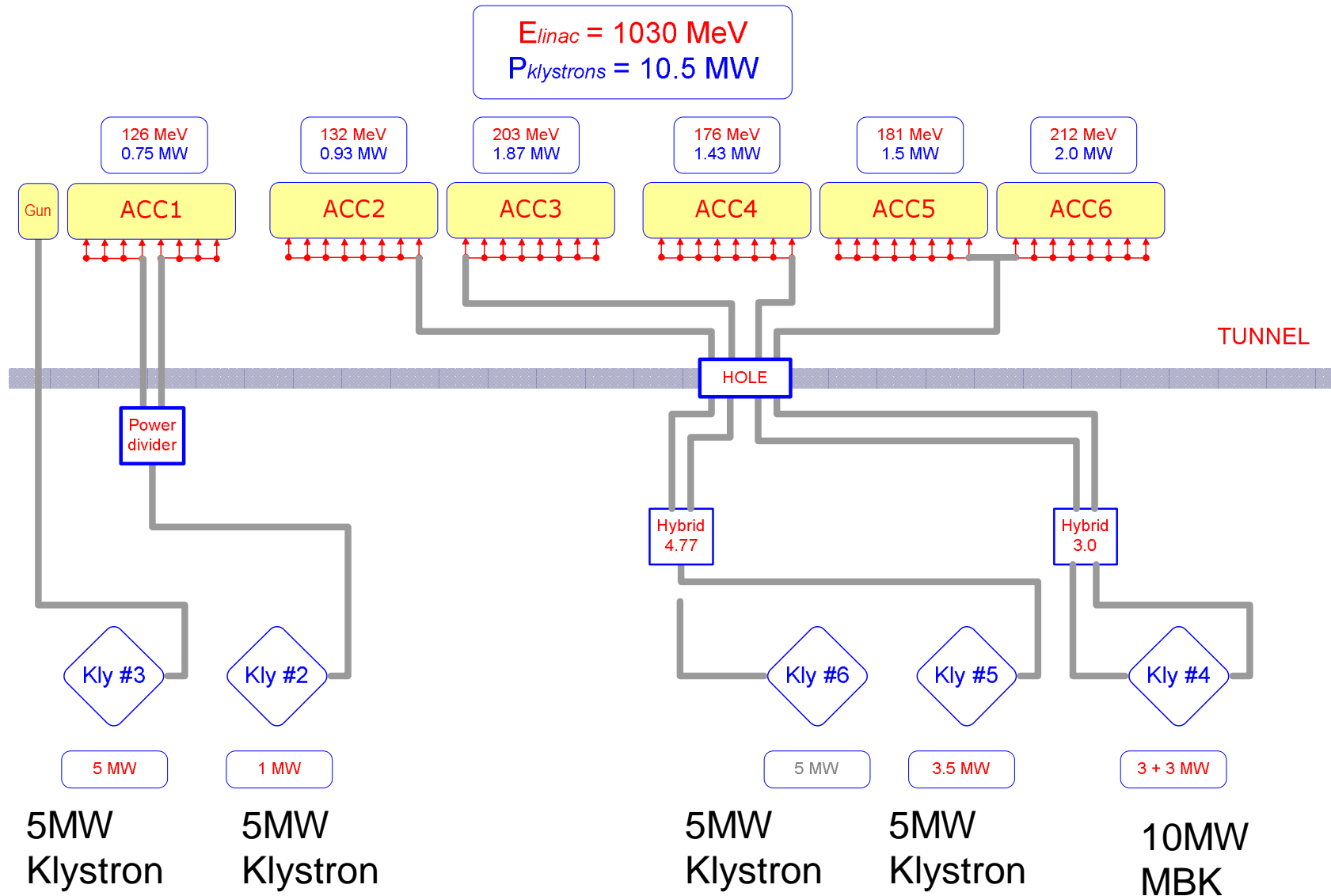


# FLASH HPRF

S. Choroba, V.Katalev

# Flash HPRF present status



# Waveguide Components

## Design

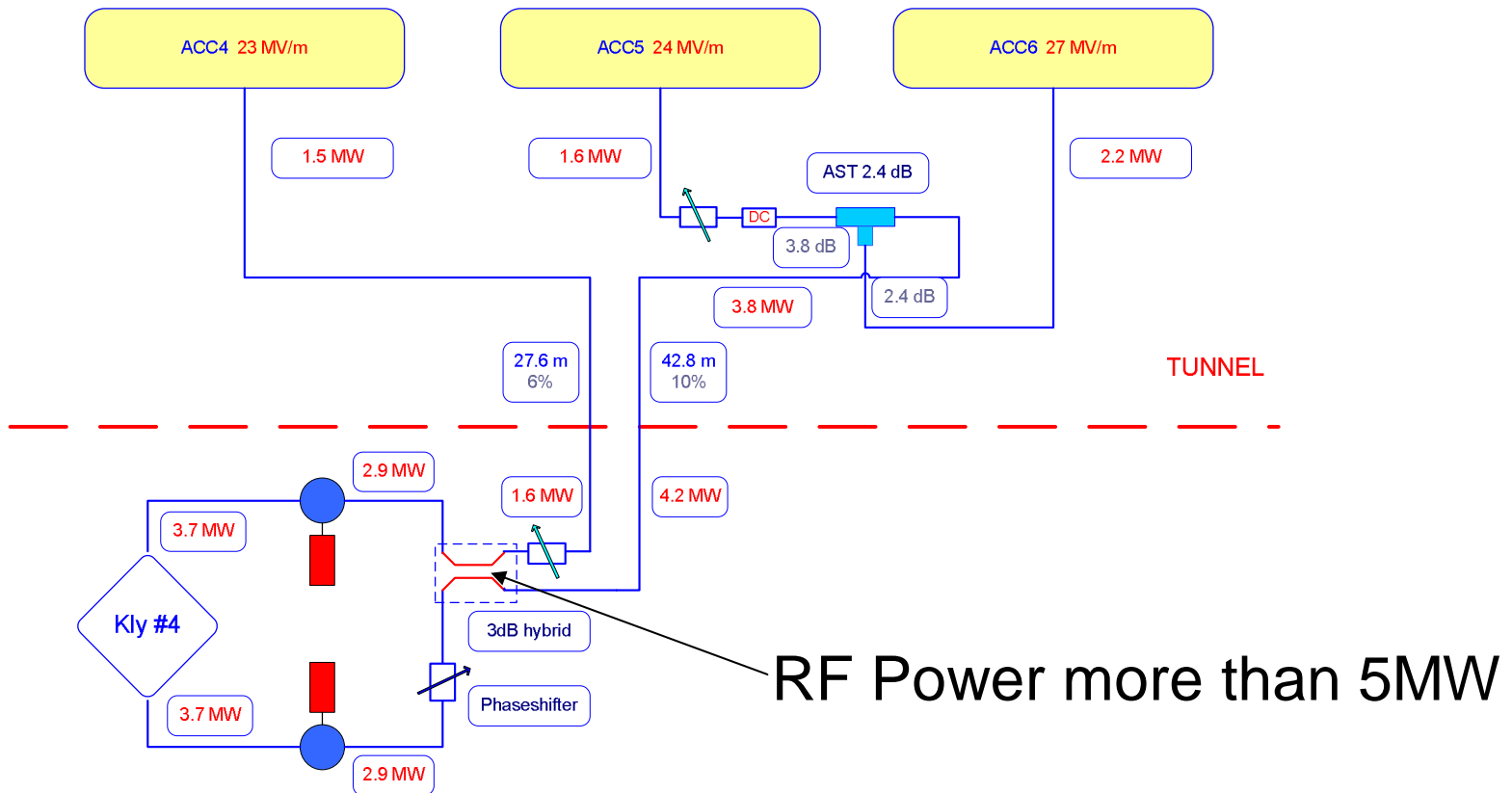
- Designed in high power part for 5MW max.
- Designed in low power part for 230kW max.

## Limits

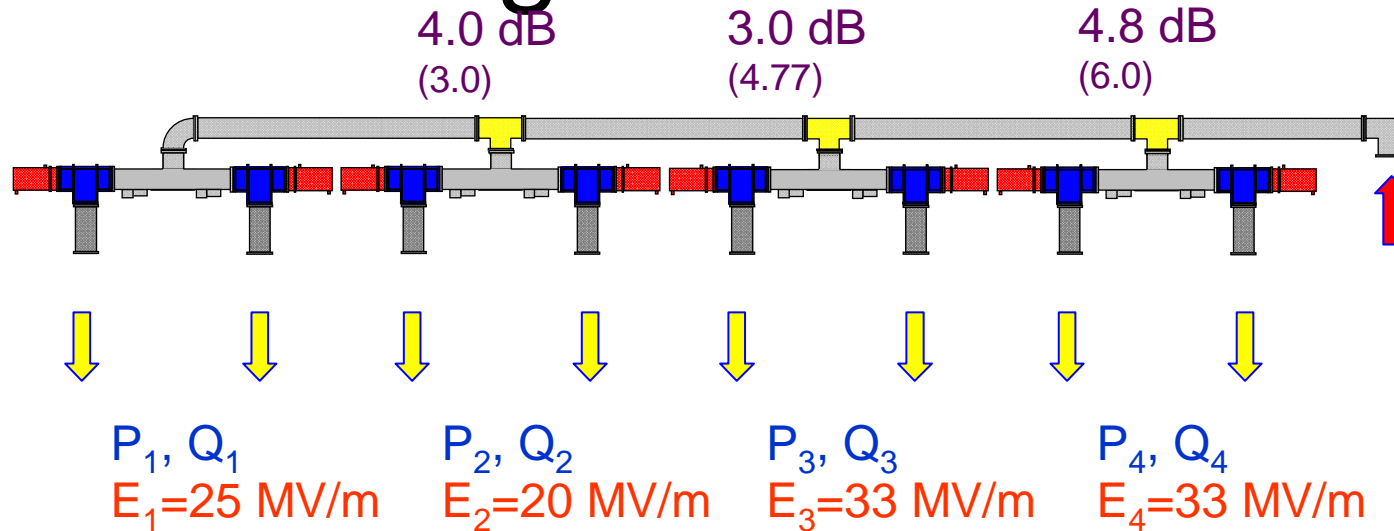
- Limit in high power power part: ca. 5-7MW ?
- Limit in low power part ca. 350kW

# Waveguides for ACC 4/5/6

Waveguide distribution for klystron #4 (status 06.08.07)



# Waveguides for ACC6



ACC6	26,7 MV/m		222 MeV		Max	238	Mev	$\Delta$	16
Pin, MW	2,21		RF power	OK					
Qext	2,95	2,97	3,00	2,98	3,00	2,98	2,99	2,98	21.11.2007
A, dB	7,85	7,54	8,16	8,31	12,27	12,03	10,28	10,37	measured
Pcav, kW	362,8	389,7	337,8	326,4	131,1	138,6	207,4	203,1	2096,9
Ecav, MV/m	32,05	33,17	30,83	30,34	19,20	19,77	24,17	23,93	26,7 MV/m
Ecav, max	34	32	34	32	21	21	29	26	28,6
	Cav 1	Cav 2	Cav 3	Cav 4	Cav 5	Cav 6	Cav 7	Cav 8	