

Meeting for S1-Global module design Cryomodule and Cryogenics 20090323

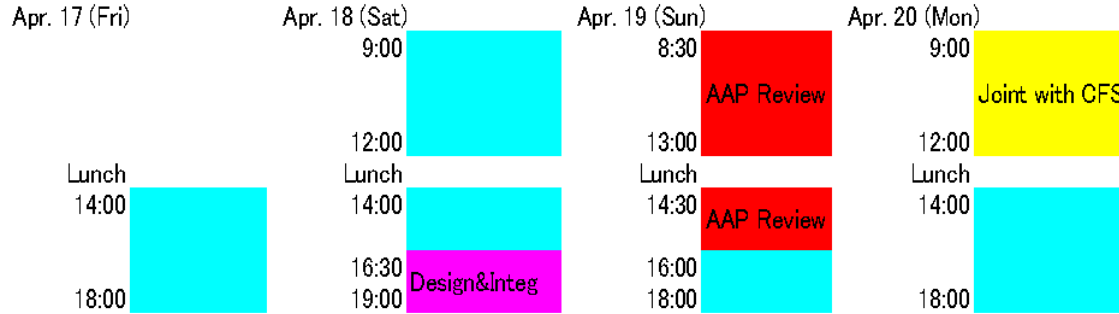
ILC Cryomodule and Cryogenic
Groups

Agenda

1. Subjects of the cryomodule/cryogenics parallel session in TILC09 (All)
2. Brief report of KEK cavities for Module-A (Norihiro Ohuchi)
3. Material study in the cavity vessel (Hirotaka Nakai)
4. S1-G module-C drawings by Zanon (Serena Barbanotti)

Subjects of the cryomodule/cryogenics parallel session in TILC09 [April 17(Fri)-20(Mon)]

Time slots for parallel sessions



Proposed time slot for Cryomodule/S1-G cryomodule session:

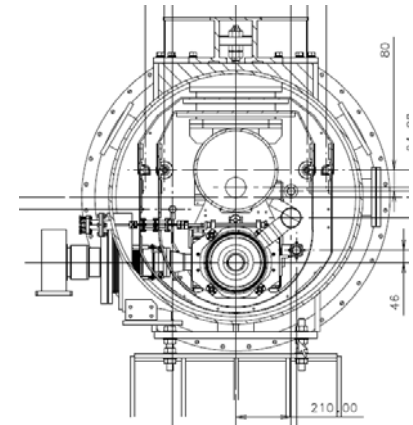
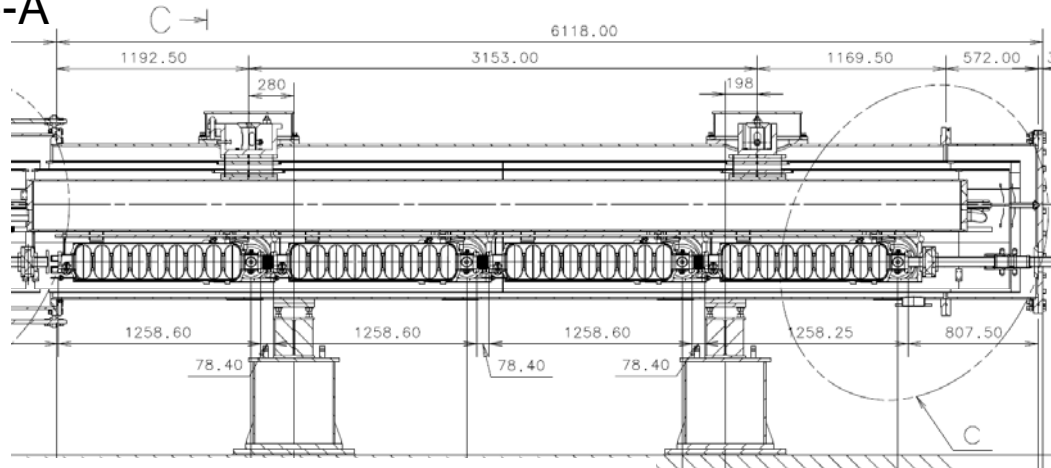
April 20 9:00~12:30

Conveners: Norihito Ohuchi, Paolo Pierini, Don Mitchell

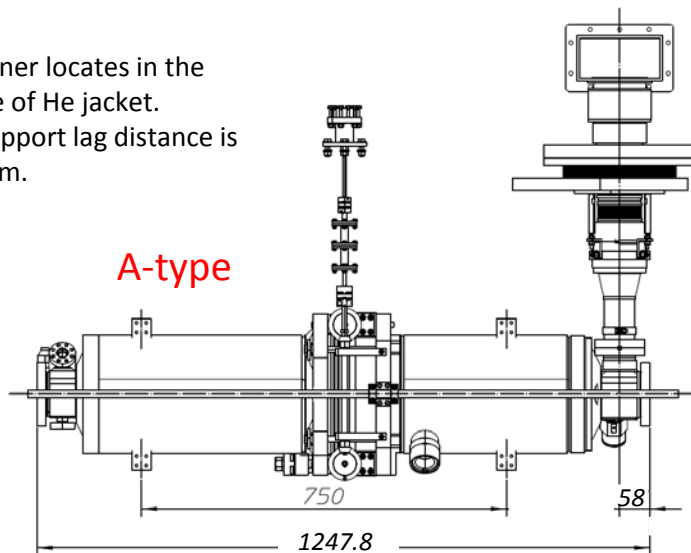
Time	Subject	Presenters
9:00~9:25	FNAL cryomodule development (3.9GHz and 1.8GHz) and layout in NML	Don Mitchell
9:25~9:40	Schedule and Design of the S1-G cryomodules	Norihito
9:40~10:10	Confirming the components for S1-G cryomodules and the responsible labs.	All, leded by Norihito
10:10~10:30	Thermal analysis works for S1-G cryomodules	Serena, Paolo
10:30~10:50	Coffee Break	
10:50~11:40	Measurements	
	Measurement items and methods (20 min.)	Tom via Webex, Paolo, Norihito
	Thermal sensors (20 min.)	Norihito
	WPMs (10 min.)	Hitoshi Hayano
11:40~12:30	Assembly and alignment procedures and tools	
	FNAL and DESY cavities (20 min.)	Tug Arkan via Webex
	KEK cavities (20 min.)	Eiji Kako, Norihito

Brief report of KEK cavities for Module-A

Module-A

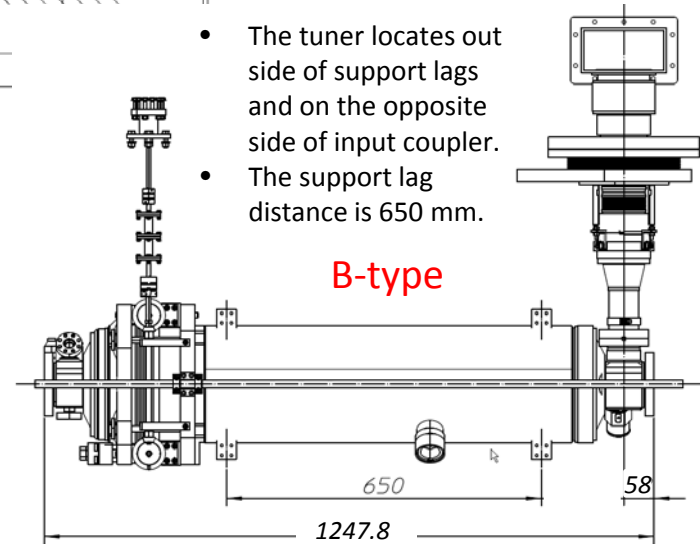


- The tuner locates in the middle of He jacket.
- The support lag distance is 750 mm.



A-type

- The tuner locates outside of support lags and on the opposite side of input coupler.
- The support lag distance is 650 mm.



B-type

KEK is constructing five Tesla-like cavities for S1-G.

- A-type: 3 cavities, B-type: 2 cavities, and choosing the better four cavities in the five cavities.
- The distance between cavity flanges is designed to be 1247.8 mm while 1258.6 mm for the old design.

Next meeting

11-th Biweekly Webex meeting (S1-G, Cryomodule, Cryogenics)

- 7 April 2009 (Tuesday)
 - 22:00 (KEK), 8:00 (FNAL), 14:00 (DESY, INFN)
- Presentation for AAP-TILC09 (Norihiro Ohuchi)
- Others