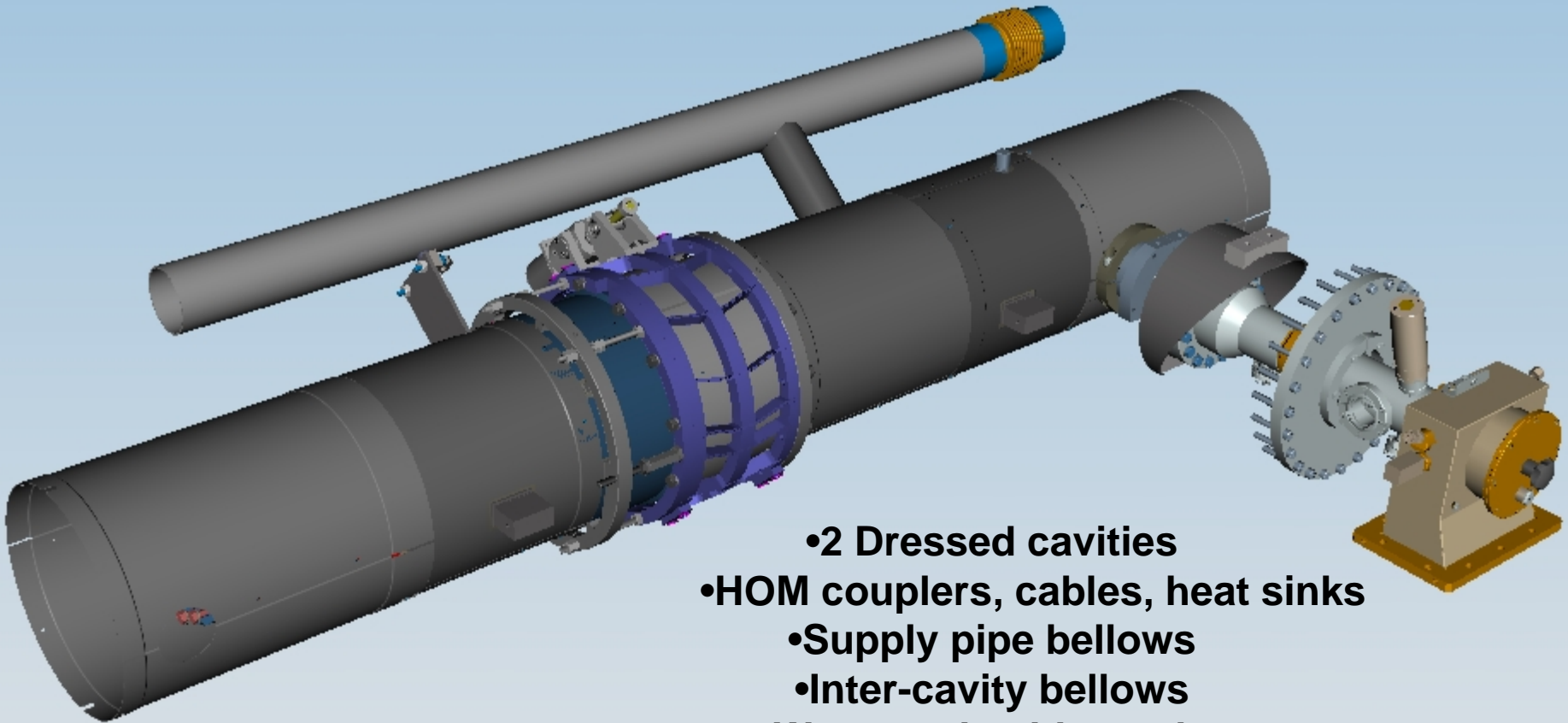


Deliverable for S-1 Global



- 2 Dressed cavities
- HOM couplers, cables, heat sinks
- Supply pipe bellows
- Inter-cavity bellows
- Warm and cold coupler
- Magnetic shielding
- Bladetuner with motor and drive
- Seals, cables, and mounting hardware