

Multi-OTR Project meeting

(IFIC-Valencia)

C. Alabau Pons

J. Alabau Gonzalvo

C. Blanch

J.V. Civera

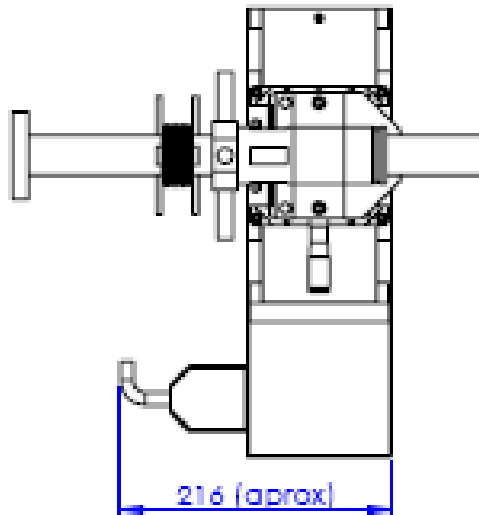
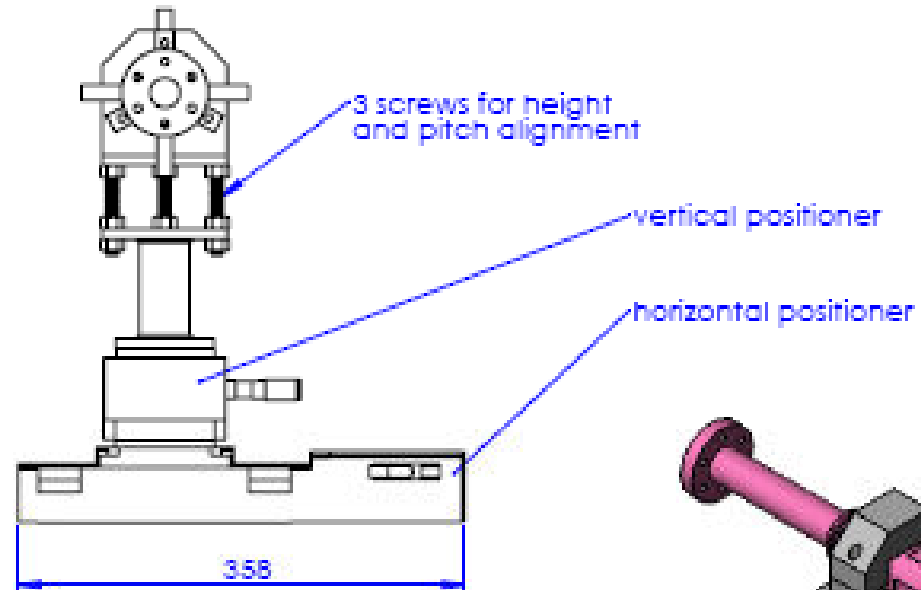
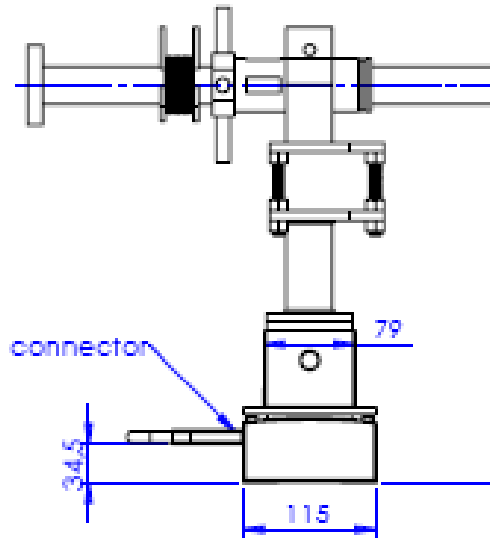
A. Faus-Golfe

J.J. Garcia Garrigos

Simulation and software Tasks

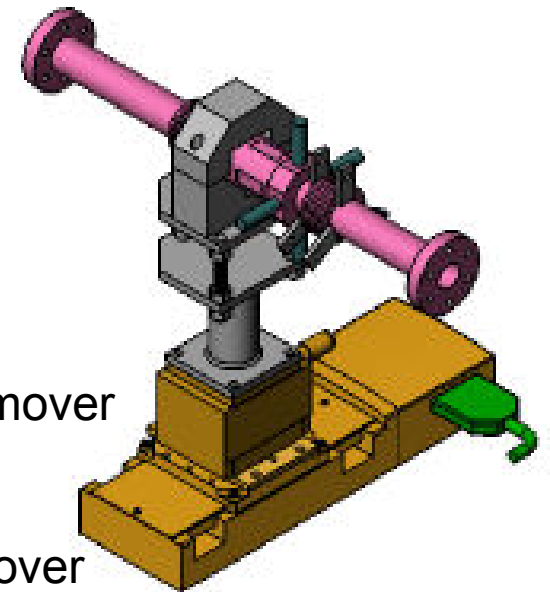
- **Realistic Optics and Beam Dynamics Simulations for ATF2 EXT line:**
 - study of the possible locations (**space, better optics conditions..**)
 - tracking studies (**the model should be completed adding all possible machine imperfections**) (**synergies with the FONT collaboration**)
 - comparison with the multi-wire scanner results
- **Software developments for the control of the multi-OTR system** (**movers..**) (**synergies with the FONT collaboration**)
- **Software developments for the calibration and measurements routine**

FONT Movers



Vertical mover

Horizontal mover



Possible IFIC Tasks

- **Mechanical design and construction**
(C. Blanch, J.V. Civera)
- **Associated Electronics**
(J.J. Garcia Garrigos)
- **Realistic Simulation**
(J. Alabau, C. Alabau, A. Faus-Golfe)
- **Software developments**
(J. Alabau, J.J Garcia Garrigos)
- **Installation and commissioning**