

Meeting for S1-Global module design Cryomodule and Cryogenics 20090721

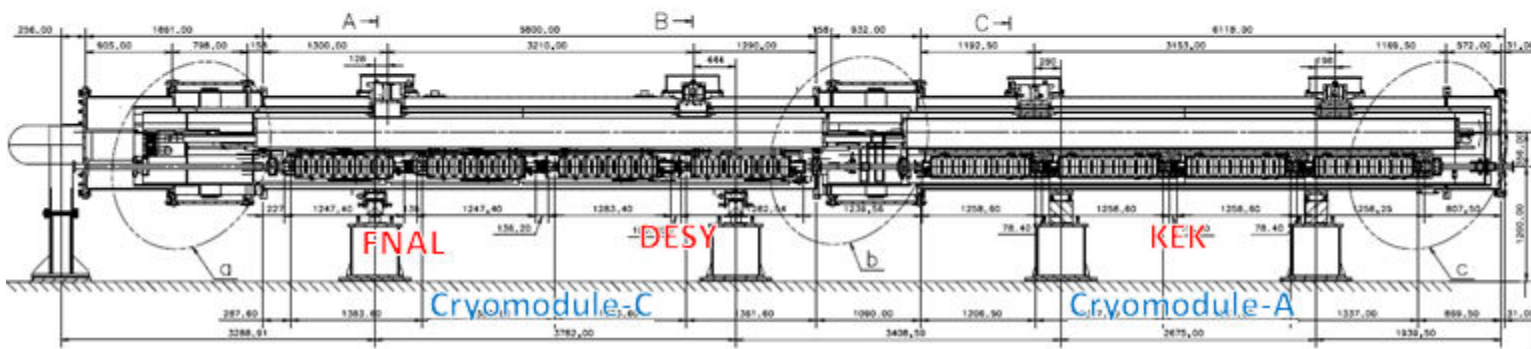
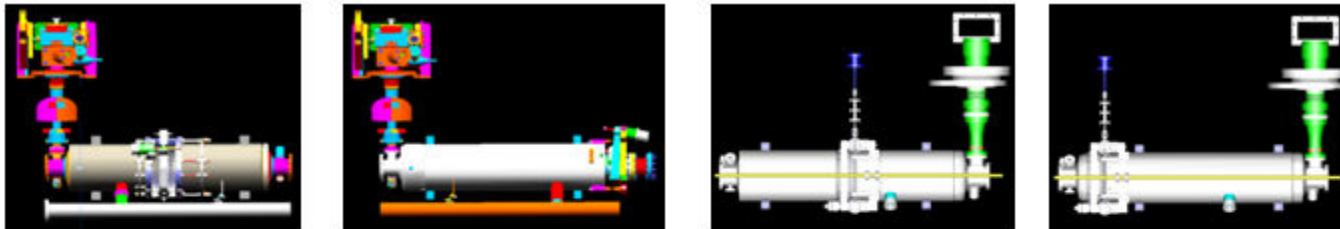
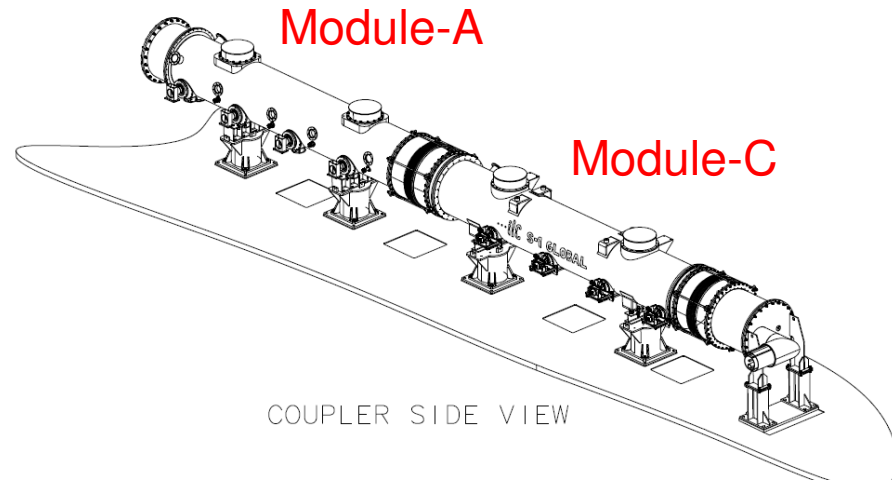
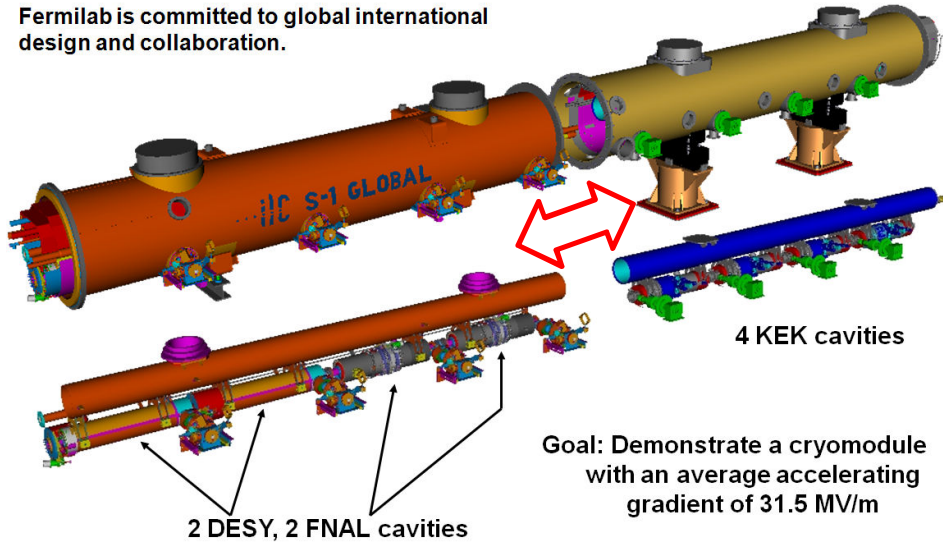
ILC Cryomodule and Cryogenic
Groups

Agenda

1. Updated construction status of Module-C (Paolo Pierini)
2. Report of the meeting between FNAL and KEK for the S1-G FNAL delivery components (Jim Kerby)
3. Others

S1-Global Cryomodule

Fermilab is committed to global international design and collaboration.



Next meeting

18-th Biweekly Webex meeting (S1-G, Cryomodule, Cryogenics)

- 4 August 2009 (Tuesday)
 - 22:00 (KEK), 8:00 (FNAL), 15:00 (DESY, INFN)
- Agenda
 - Report of works at Zanon (Norihiro Ohuchi)
 - Schedule of CM1, CM2, AES1 and AES4 (Tug Arkan)
 - Others