



# *CFS Global Meeting 29 July 2009*

## *CONVENTIONAL FACILITIES AND SITING GROUP :*

- Safety documents*
- 3d modeling*



- **LHC chapter of the CLIC/ILC safety repository document under approval**
  - **Can be found on Indico CES site :**
    - **<http://indico.cern.ch/conferenceDisplay.py?confId=44870>**
  - **Or on CERN EDMS :**
    - **CERN EDMS 995165 v.1**  
**[https://edms.cern.ch/cedar/plsql/doc.info?cookie=8286997&document\\_id=995165&version=1](https://edms.cern.ch/cedar/plsql/doc.info?cookie=8286997&document_id=995165&version=1)**
  - **FNAL : M&W Zander working on translation of XFEL safety document**
  - **FNAL : Hughes Engineering – Alternative tunnel solutions study underway, including safety assessments**
  - **KEK fire safety studies complete**
-



#13 - CLIC-CES Wkg (13 May 2009) - Windows Internet Explorer provided by CERN

http://indico.cern.ch/conferenceDisplay.py?confId=44870

Google

#13 - CLIC-CES Wkg (13 May 2009)

category | view: Indico style | manage

LOCAL: Europe/Zurich login

**#13 - CLIC-CES Wkg**

Wednesday 13 May 2009  
from 14:30 to 16:00  
Europe/Zurich  
at CERN ( 112-4-C17 )  
chaired by: John Andrew Osborne (CERN)

Material: Minutes

Wednesday 13 May 2009 | [top](#)

**Wednesday 13 May 2009**

14:30	Approval of Minutes from previous meeting (10)	Slides	
14:40	First Ideas on the EL study for CLIC (20)	Slides	Cezary Jach (CERN)
15:00	CLIC Tunnel Cross Section (20)		John Andrew Osborne (CERN)
15:20	ILC-CLIC Safety Documents (10)	Paper; Slides	Fabio Corsanego (CERN)

CERN | Powered by CERN Indico 0.96.2.20090624 | pcuds71 | http://indico.cern.ch/event/44870 | Last modified 03 June 2009 09:25 | HELP

***Deadline for comments on LHC Chapter next CES webex on 9 September 2009***



- **All chapters eg LHC, XFEL, CLIC, Americas, ASIA are to be collected in this single document**
  - **The goal is to have all safety reports compiled by Albuquerque\_**
  - **Executive summary to follow....**
-



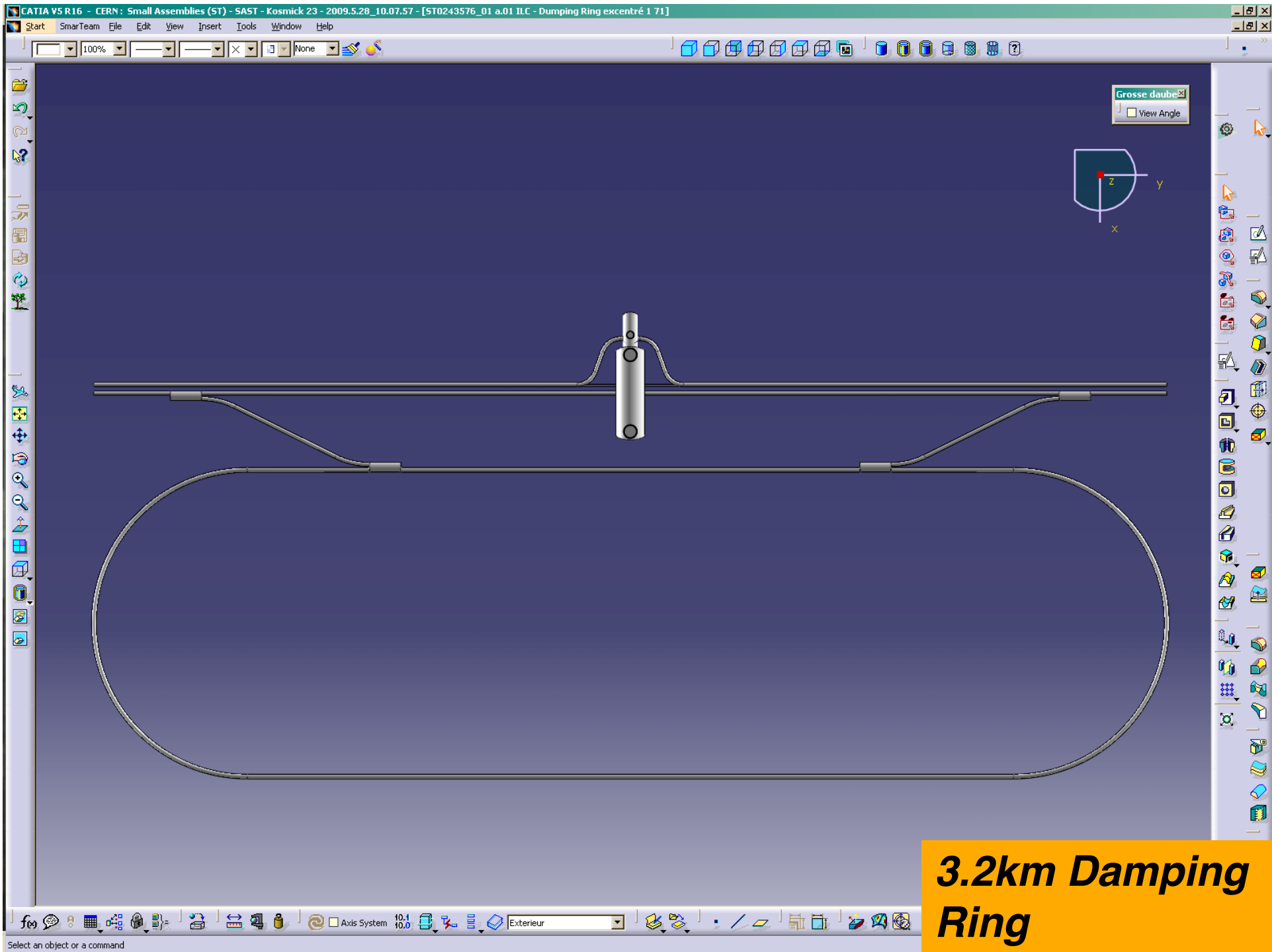
## 3d modeling

- *Since DESY AD&I meeting at the end of May, several meetings have taken place to better define the tunnel layouts for SB2009. (Weekly CFS with area systems, Central area meeting in SLAC 20/21 July...)*
- *Until layouts are better understood, 3d-modeling is 'on-hold'.*
- *CERN & FNAL (M&W Zander) are on standby to produce further models. KEK are investigating possibility of using an external consultant to help with 3d models.*



*CERN have produced a few very preliminary  
3d models further to the DESY meeting  
(without lattices !)*

- *See following slides*



**3.2km Damping Ring**

