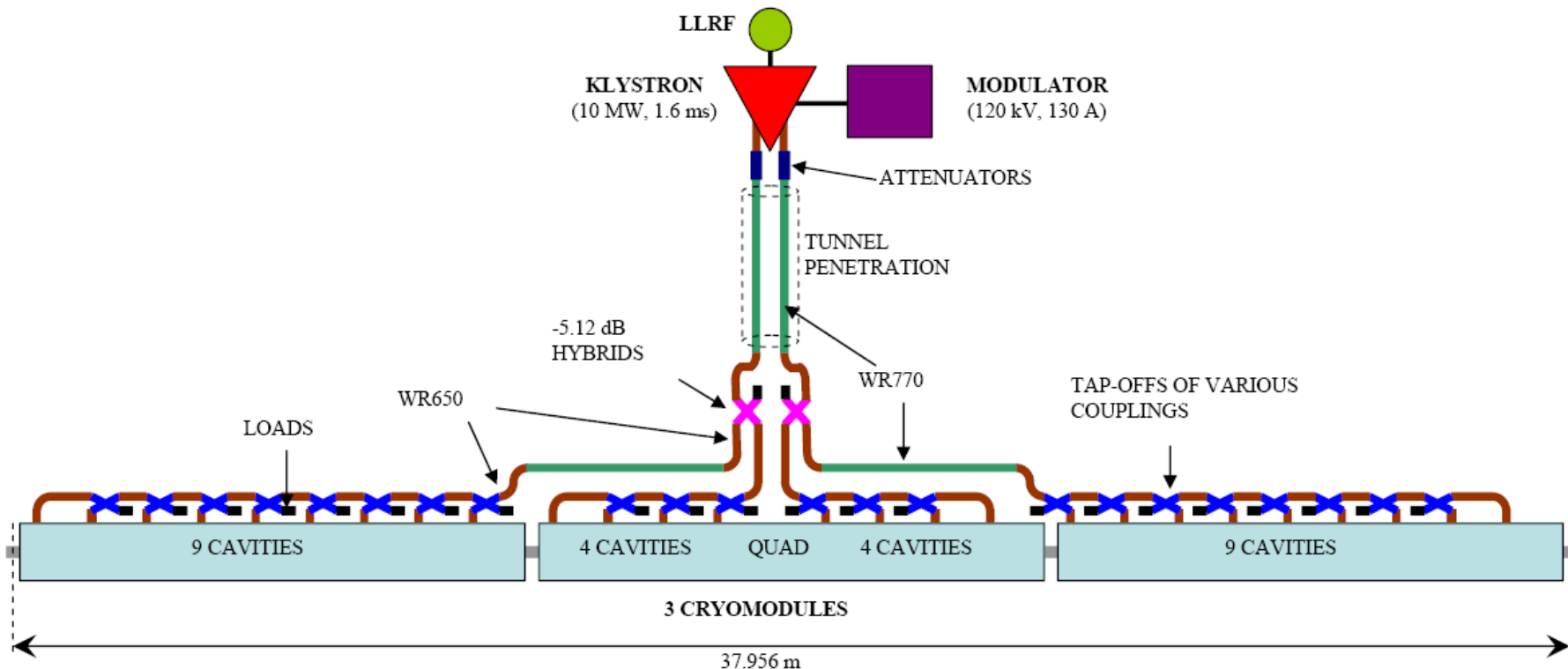


Radio Frequency (RF) Systems (LLRF and HPRF)

Stefan Simrock, ITER

Mariusz Grecki, DESY

- RF system overview
- Control Theory
- Low Level RF
 - Requirements
 - Sources of Perturbations
 - Control Concepts
 - RF Control
- High Power RF
 - Klystrons
 - Modulator
 - RF distribution

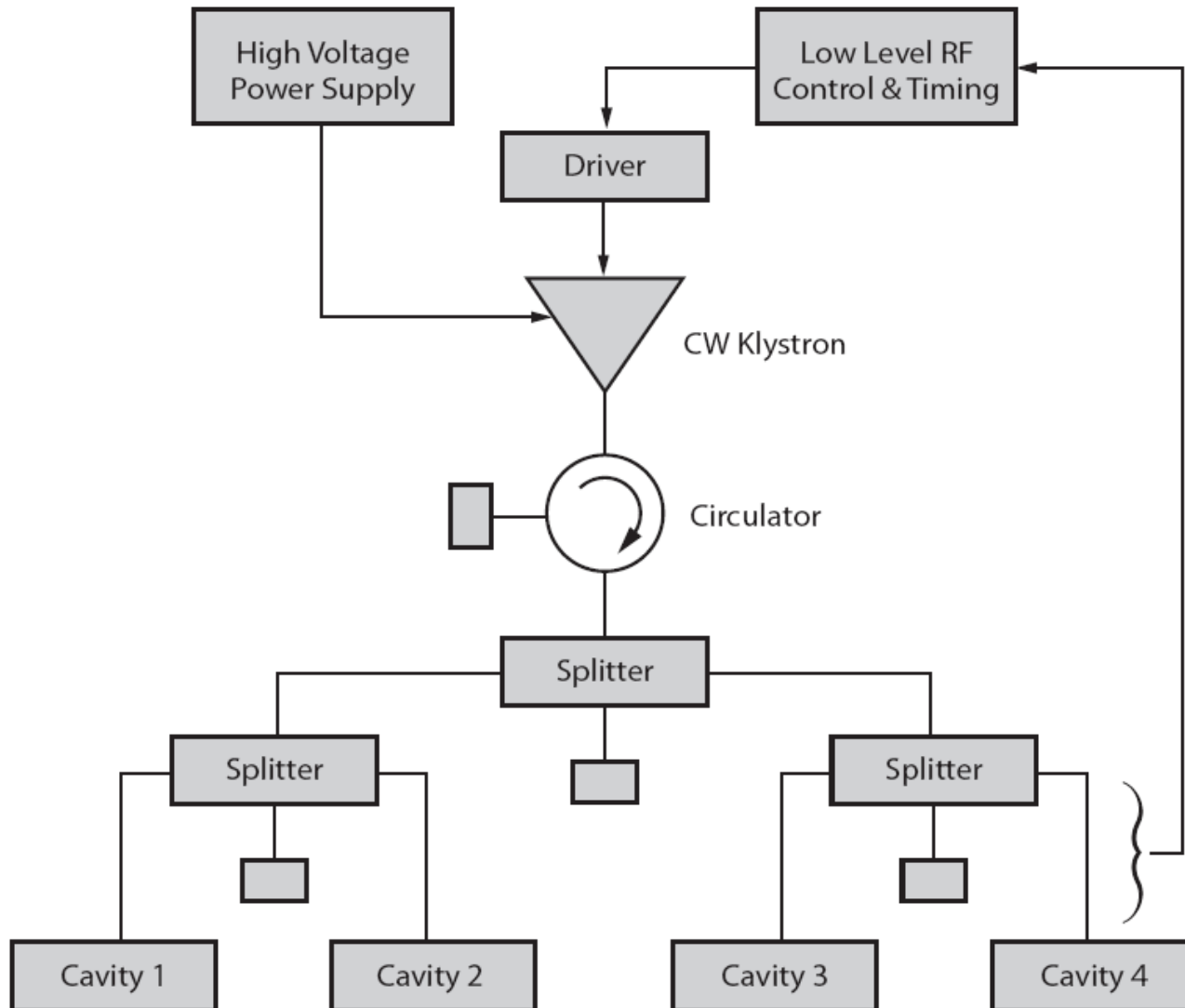


Modulator distribution by type and area.

Modulator type	Total	e ⁻ Inj	e ⁺ Inj	e ⁻ RTML	e ⁺ RTML	e ⁻ Linac	e ⁺ Linac	e ⁻ DR	e ⁺ DR
10 MW-1.3 GHz-5 Hz	646	13	39	17	17	282	278	0	0
1.2 MW-650 MHz-CW	20	0	0	0	0	0	0	10	10



Schematic for Damping Ring RF Station





ILC RF Unit for Main Linacs (x560)

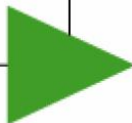
Modulator
(120 kV, 140 A)



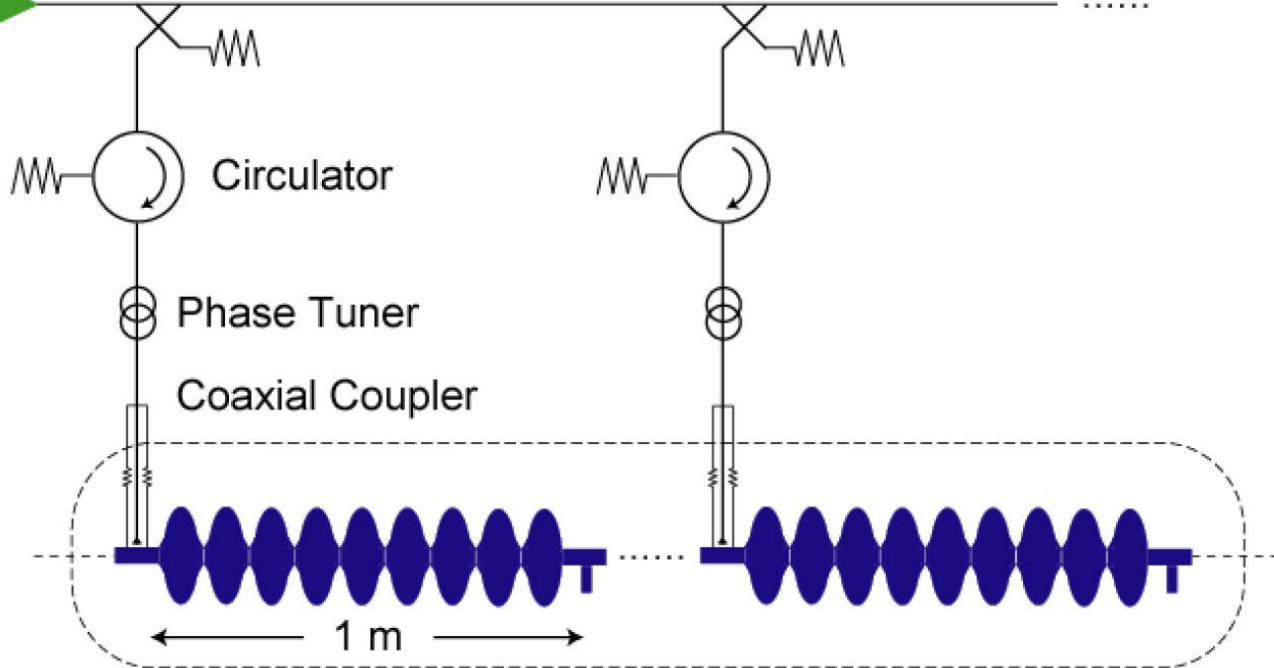
1.3 GHz



10 MW Klystron
(1.4 ms, 5 Hz)



RF Transmission Line



Gradient = 31.5 MV/m

Rep Rate = 5 Hz

of Bunches = 2670

Bunch Spacing = 363 ns

Beam Current = 9.0 mA

Input Power = 284 kW

Fill Time = 596 μ s

Train Length = 969 μ s

Cryomodule 1 of 3

(9-8-9 Cavities per Cryomodule)



Integration LLRF, HPRF, Timing/Synchronization

