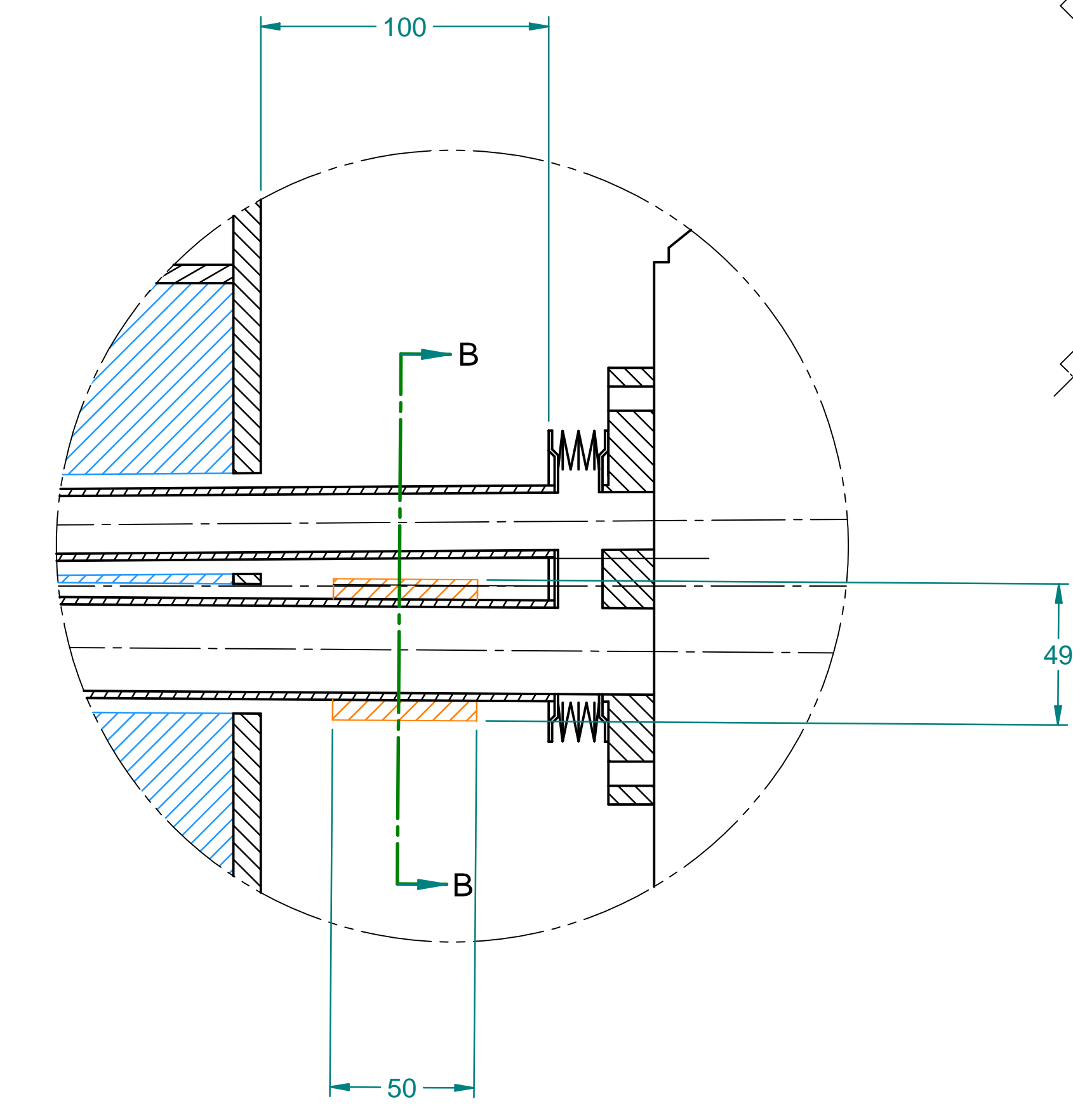
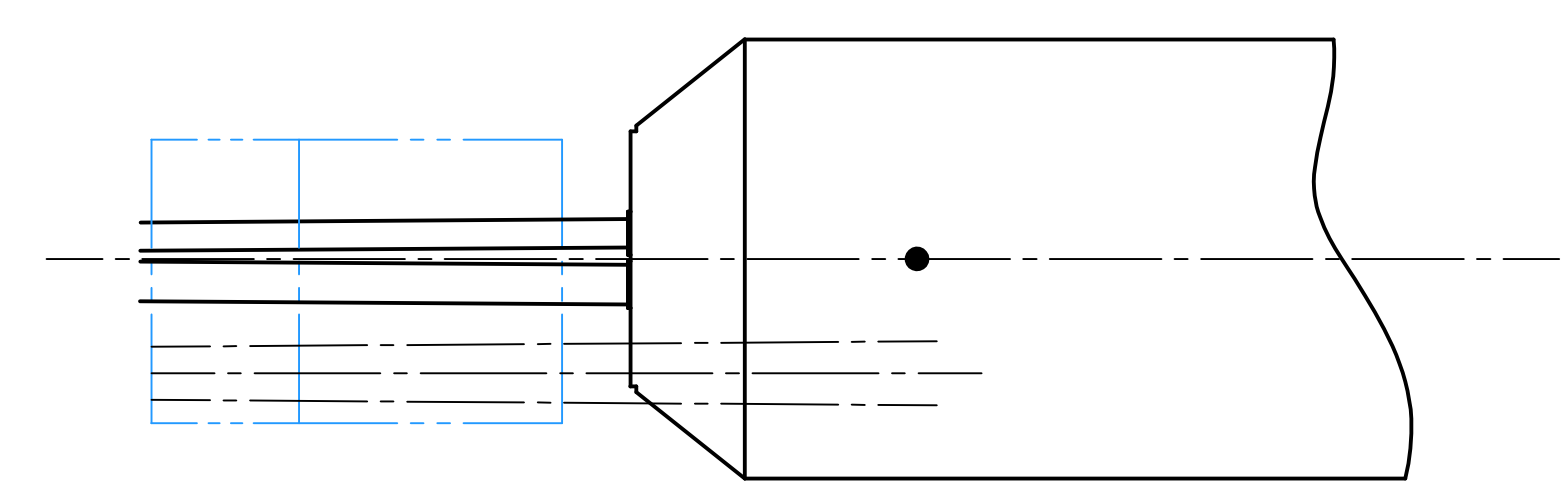
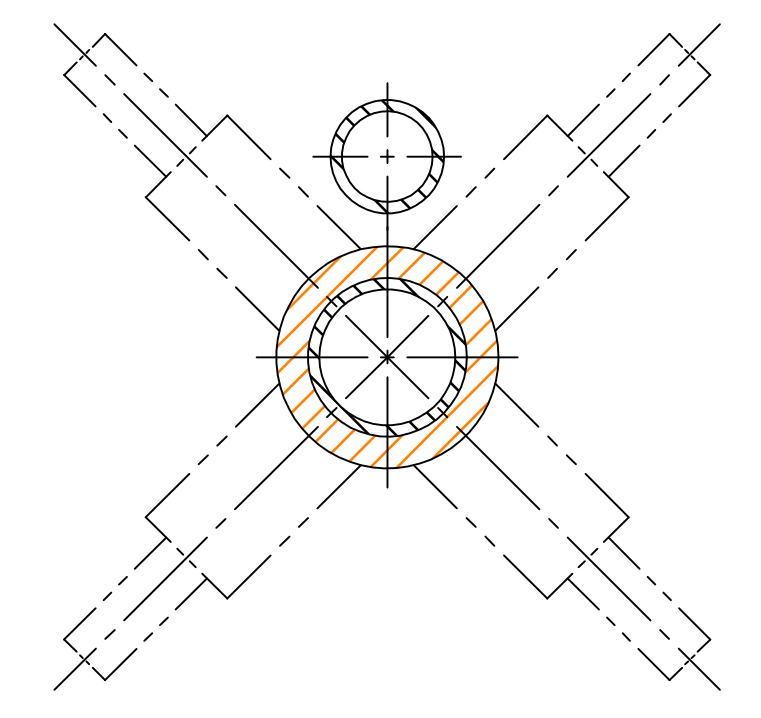


DETAIL C  
SCALE 4:1

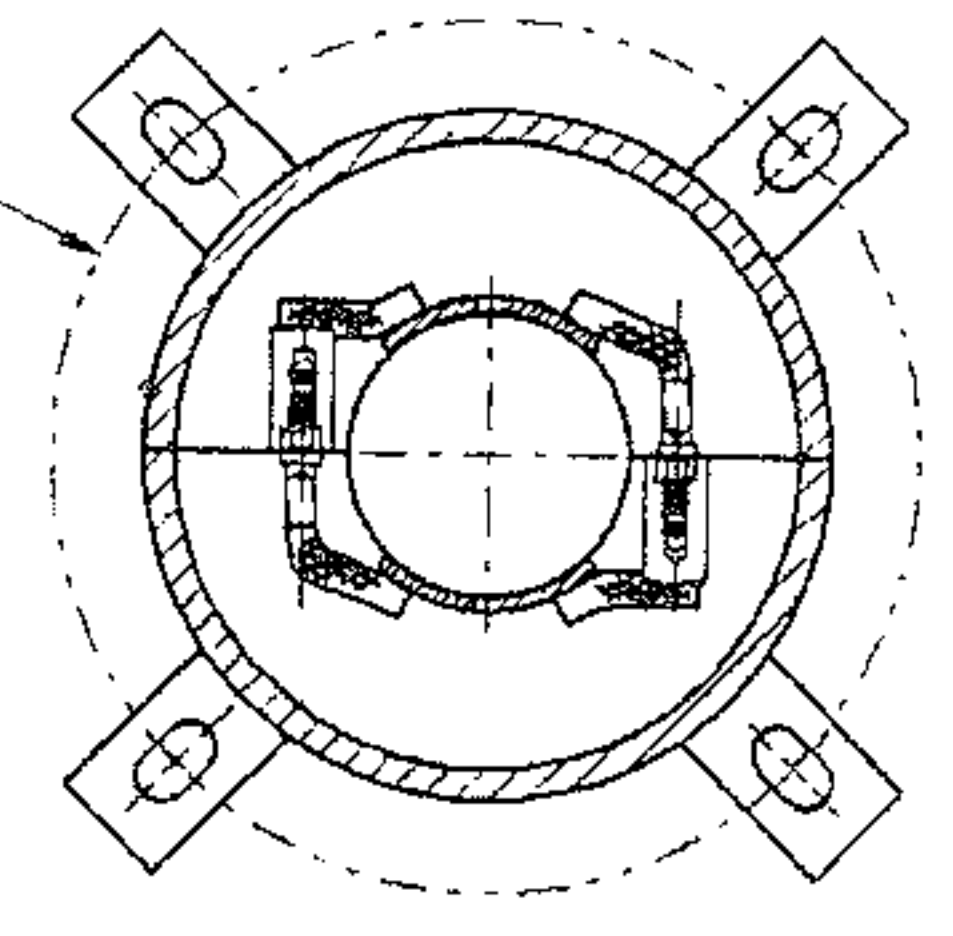
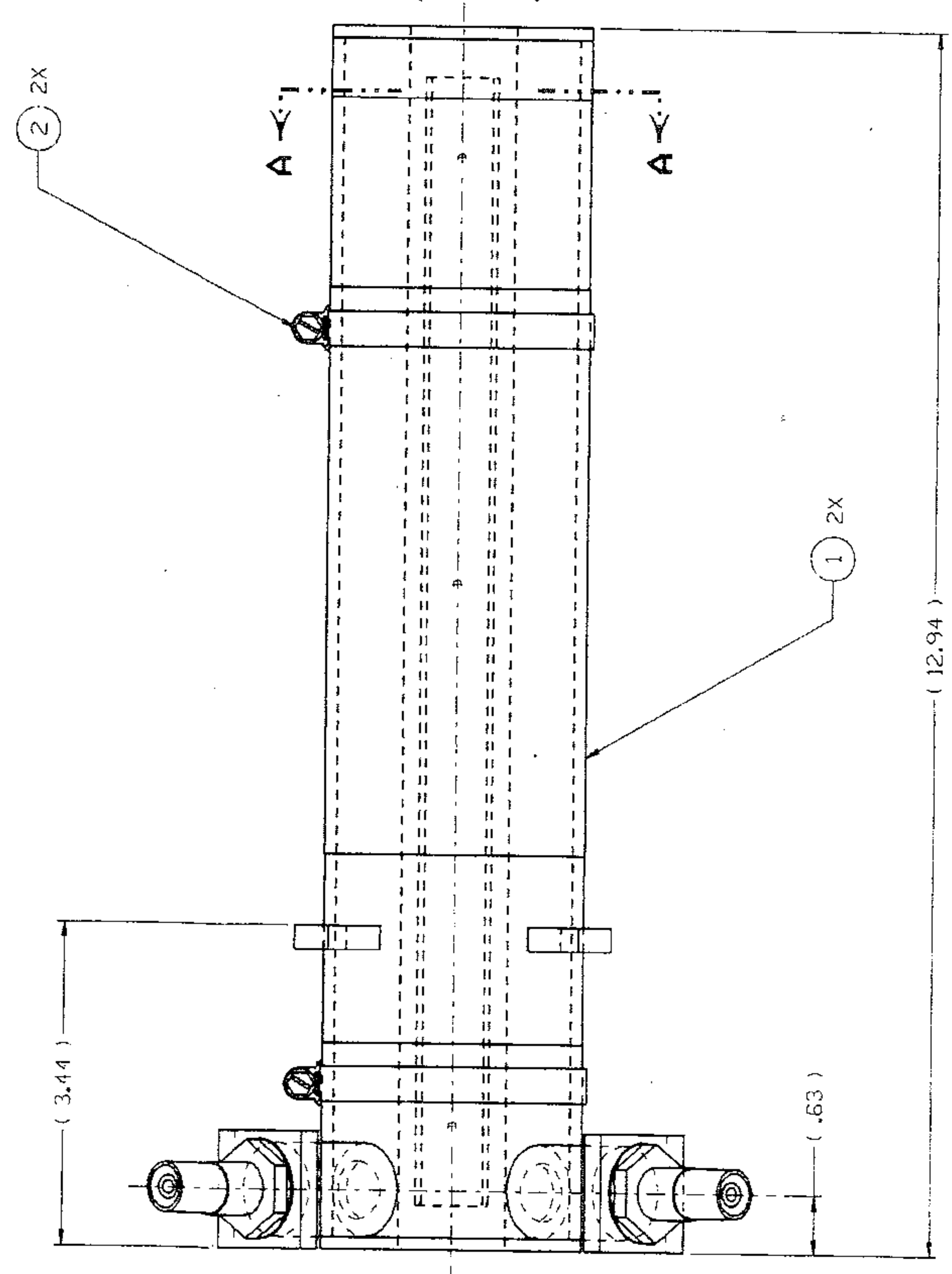
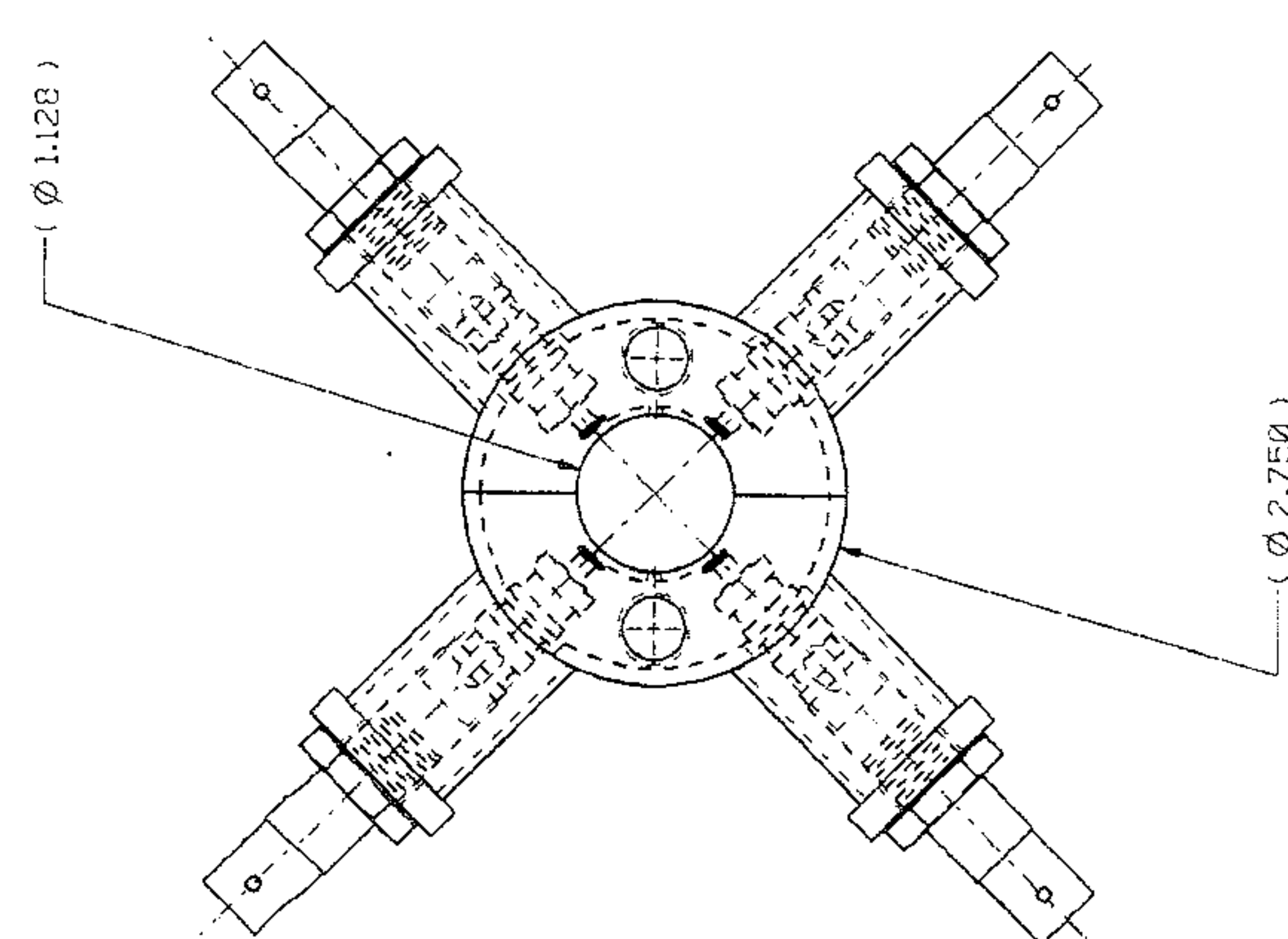


DETAIL A  
SCALE 4:1



SECTION B-B  
SCALE 4:1

REV	DESCRIPTION	DRN	CHK	APP	DATE
D	SA-446-542-55 E0				



PARTIAL SECTION A-A

2	43	221-300	28	HOSE CLAMP, Ø 2.31 TO 3.25	2
1	1	SA 446-542	43	POTTING ASSY	2
ITEM NO	PREF	BASE	SUFF	TITLE OR DESCRIPTION	QTY

SCALE: 1:1

DO NOT SCALE DRAWING

STANFORD LINEAR ACCELERATOR CENTER  
 U.S. DEPARTMENT OF ENERGY  
 STANFORD UNIVERSITY  
 STANFORD, CALIFORNIA

APPROVALS:  
 BY: R. HILDEN  
 JOHN W. GORECKI 01-21-92  
 DMC J. LINGTON

PROPERTY DATA OF STANFORD UNIVERSITY AND/OR U.S. DEPARTMENT OF ENERGY. NO REPRODUCTION OR DISTRIBUTION OF THIS DRAWING OR INFORMATION CONTAINED HEREIN IS PERMITTED WITHOUT THE WRITTEN PERMISSION OF STANFORD UNIVERSITY.

STANFORD UNIVERSITY  
 U.S. DEPARTMENT OF ENERGY  
 STANFORD, CALIFORNIA

SLC - LINAC  
 POST KICKER MAGNET  
 ASSEMBLY

SA-446-542-55 E0

LINAC POST KICK MAG ASSY

