

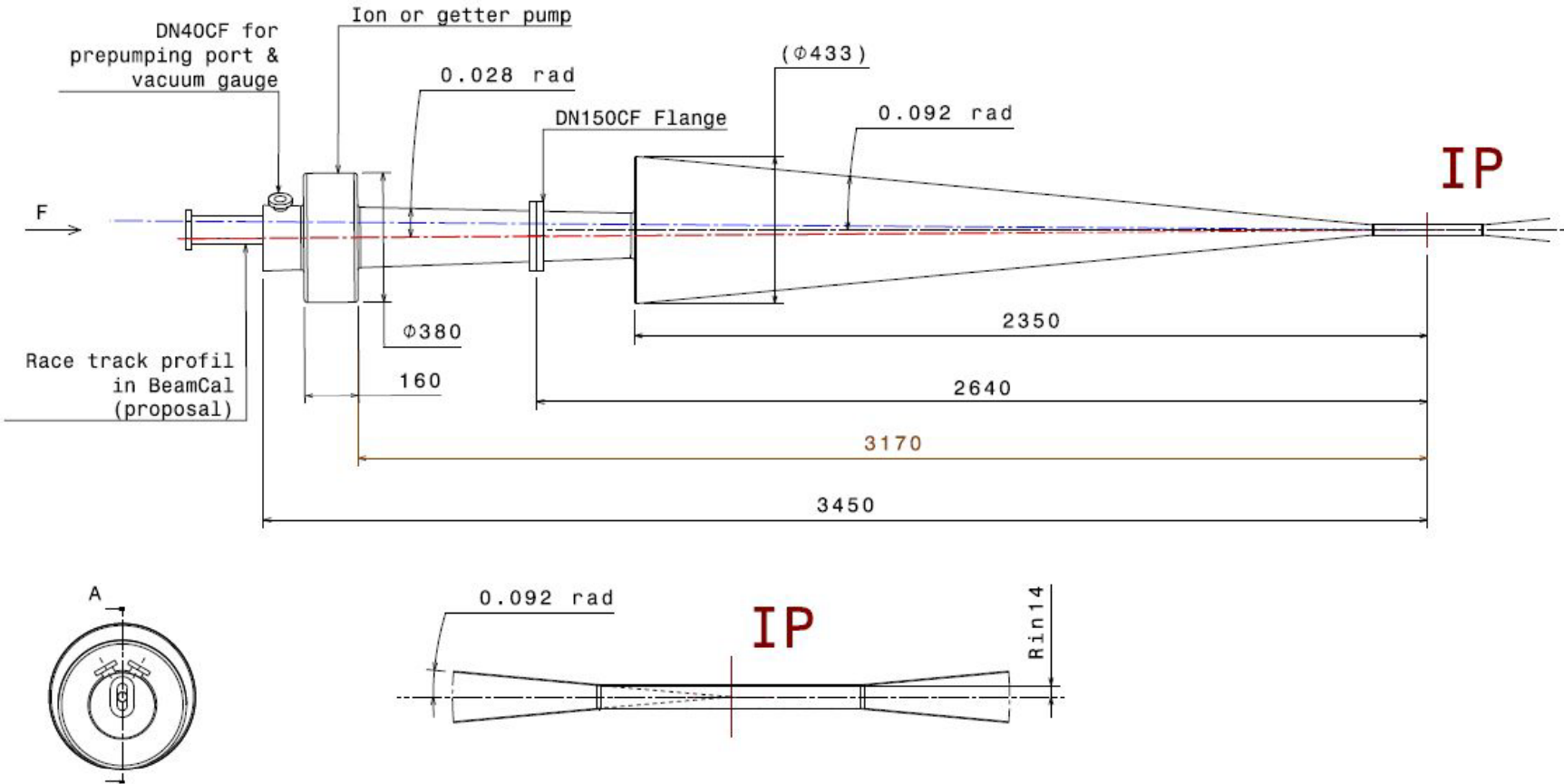
# A comment on beam pipe shape

Yasuhiro Sugimoto

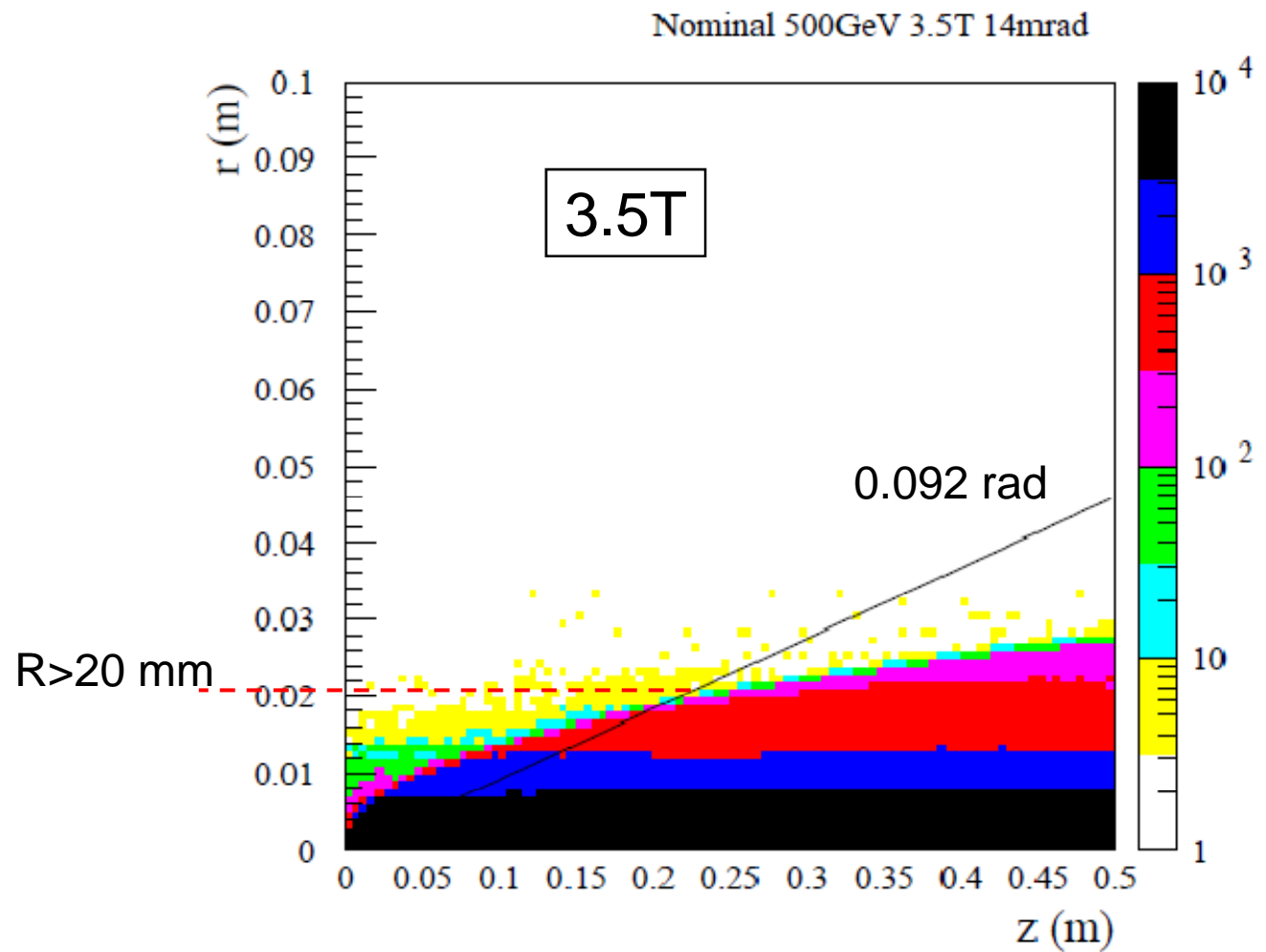
KEK

@ILD meeting in TILC08

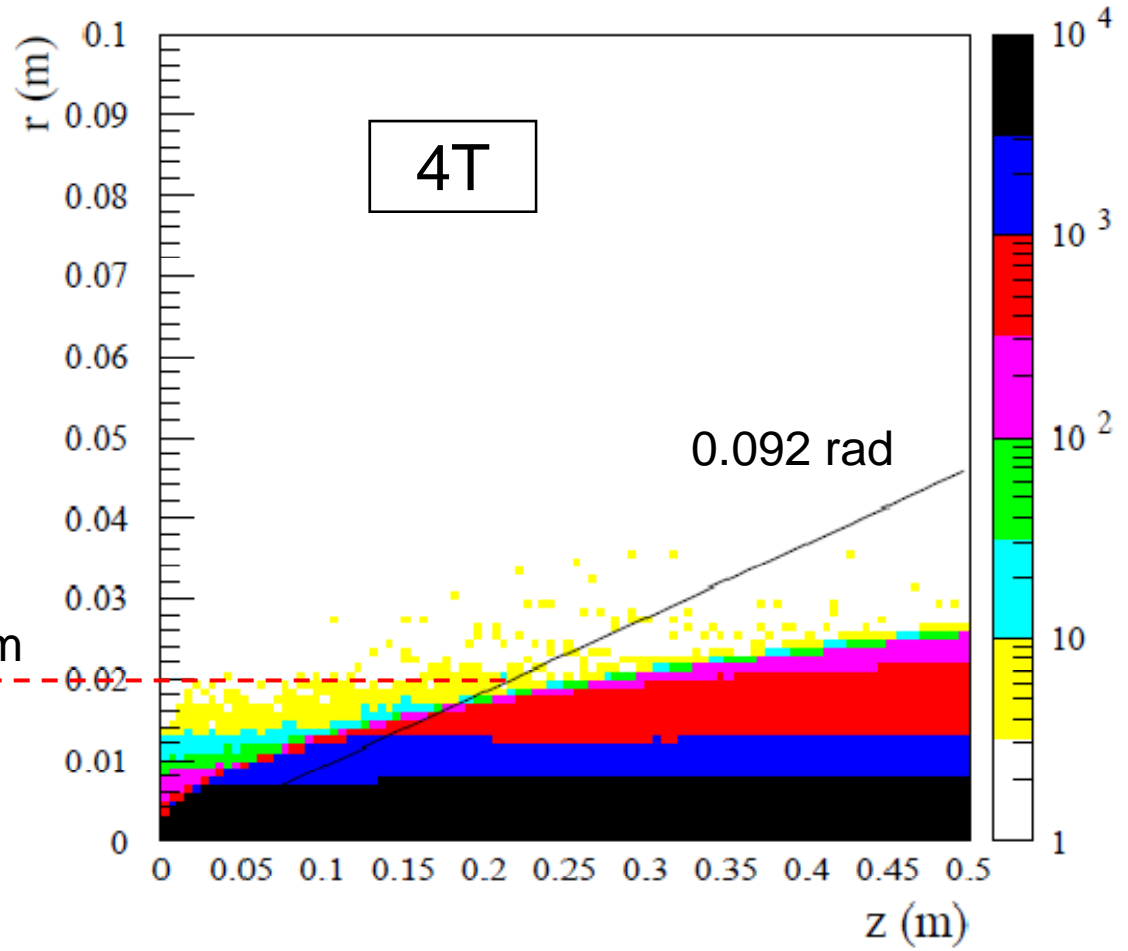
# Beam pipe design of LDC



# Pair background



Nominal 500GeV 4T 14mrad



Single cone design  
is not preferable for  
VTX

# Fear in the single cone design

- Large beam pipe radius at IP
- Loss of acceptance for low  $P_t$  charged tracks in the very forward region
- Mechanical stress to the very thin ( $t < 500\mu\text{m}$ ) Be pipe at IP