



Proposal & suggestions

Building the SiD collaboration

H. Weerts
Argonne National Laboratory



Proposal & suggestions

Building the SiD collaboration

To realize the SiD detector at the ILC in Japan

H. Weerts
Argonne National Laboratory



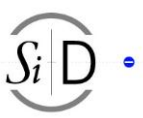
SiD accomplishments

SiD has
done a lot

- Unique concept
- Inspired new R&D
- Many talks and presentations
- All within LC framework
- Complete simulation & reconstruction framework (working !)
- Benchmarking done
- Wrote LOI and were "validated" as one of two
- Successfully used as part CLIC TDR
- Now are completing DBD

Despite all obstacles and minimal support
So obviously we have the will

Now there is "the start of a light" at the end of the tunnel
ILC in Japan



Assumptions:

- ILC or Higgs factory will materialize in Japan
- Approaches from Japan to US & EU will start ~spring 2013
- US Snowmass 2013 exercise ranks LC (fine ILC) high as science priority
- We want to see SiD as one of detectors at ILC in Japan

If this all comes to pass..... institutions/groups/people will want to join

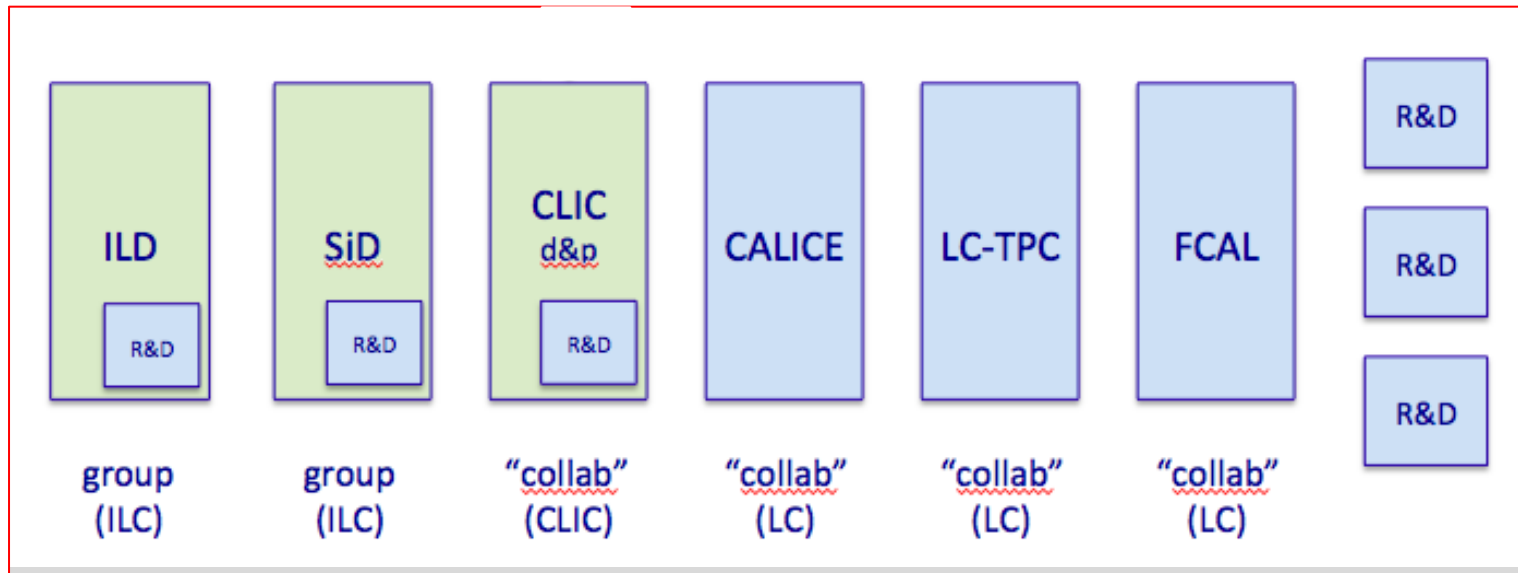
SiD needs a mechanism/rules in place that enable joining and keeping track of that.

There will be more visibility

Are we ready for that

Observations:

- SiD is now more like a “group” or “club”
 - We have no real funding
 - We have good will
-
- We will be in the same organization box with other “collaborations”





What does this mean ?:

Form Collaboration

- Have an executive committee (at least for a while)
- Two spokespeople
- Institutional Board of Institutions (this is body that approves things)
- Written bylaws/rules for joining and day to day operation (start simple and augment when needed: election of spokespeople, criteria for joining, publications, authorship, etc)
- Have a WEB site stating what we do
- Clear interface to LCO "Physics & Detector"
- More.....

SiD needs a mechanism/rules in place that enable joining and keeping track of that.



Some observations/questions:

Who is now in SiD ?

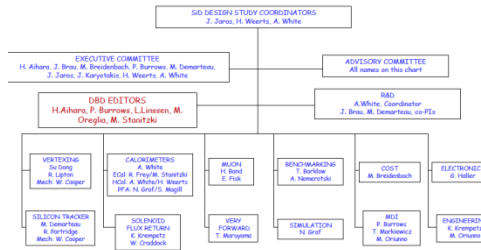
Do we have a list of institutions ?
Where is it ?

WEB page

<https://silicondetector.org/display/SiD/home>

It is linked from DBD signature page
It is out of date

Org chart



It is out of date;
needs update



Discussion, objections, suggestions, other directions

Should SiD have a
"Host lab" ?

Where in the world
i.e which lab?

Discuss options

Connections ?

Japan
CERN - already - heard preference
DESY-- obvious
Others

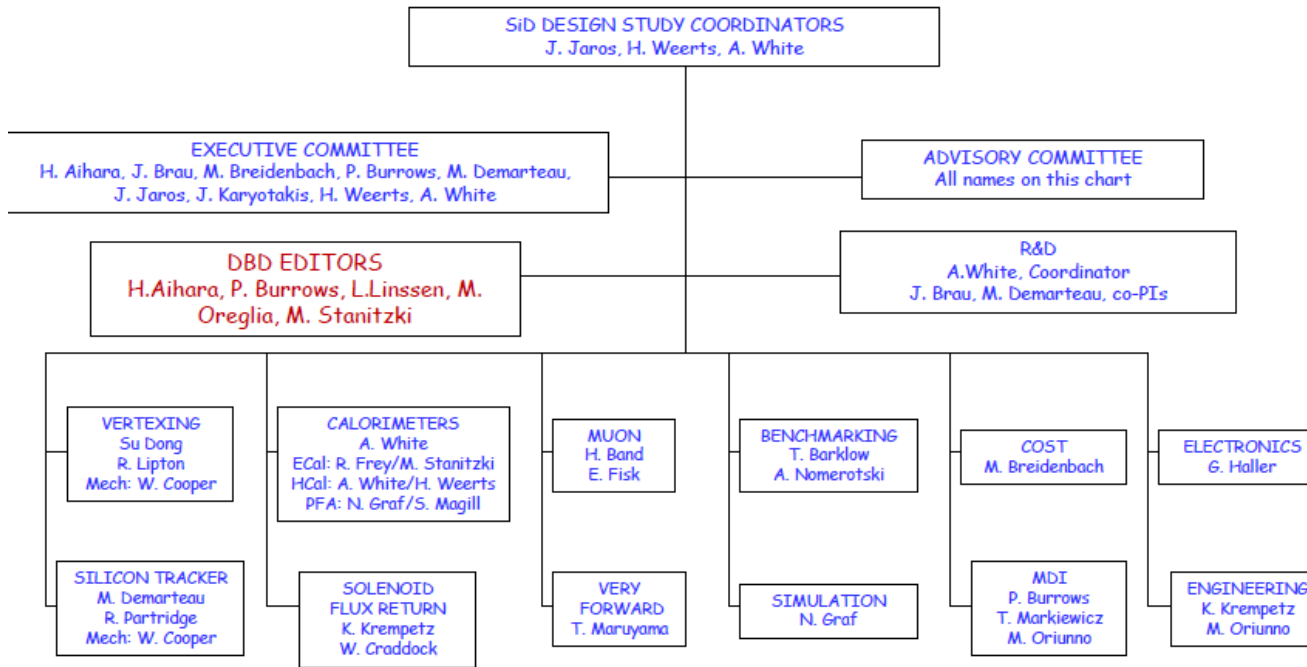
Others ...



The END



SiD Design Study Organization at KILC2012



Update this



SiD Design Study Organization at KILC2012

SiD DESIGN STUDY COORDINATORS
J. Jaros, H. Weerts, A. White

EXECUTIVE COMMITTEE
H. Aihara, J. Brau, M. Breidenbach, P. Burrows, M. Demarteau,
J. Jaros, J. Karyotakis, H. Weerts, A. White

ADVISORY COMMITTEE
All names on this chart

DBD EDITORS
H. Aihara, P. Burrows, L. Linssen, M.
Oreglia, M. Stanitzki

R&D
A. White, Coordinator
J. Brau, M. Demarteau, co-PIs

VERTEXING
Su Dong
R. Lipton
Mech: W. Cooper

SILICON TRACKER
M. Demarteau
R. Partridge
Mech: W. Cooper

CALORIMETERS
A. White
ECal: R. Frey/M. Stanitzki
HCal: A. White/H. Weerts
PFA: N. Graf/S. Magill

**SOLENOID
FLUX RETURN**
K. Krempetz
W. Craddock

MUON
H. Band
E. Fisk

**VERY
FORWARD**
T. Maruyama

BENCHMARKING
T. Barklow
A. Nomerotski

SIMULATION
N. Graf

COST
M. Breidenbach

MDI
P. Burrows
T. Markiewicz
M. Oriunno

ELECTRONICS
G. Haller

ENGINEERING
K. Krempetz
M. Oriunno